

# GE Fanuc IC694MDL634

<http://www.pdfsupply.com/automation/ge-fanuc/rx3i-pacsystem/IC694MDL634>

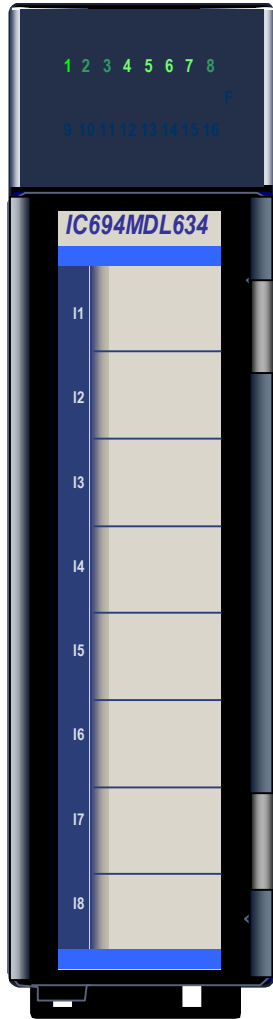
## Rx3i PacSystem

Input module 24 VDC 8 point POS/NEG logic. IC694M IC694MD IC-  
694MDL

919-535-3180

sales@pdfsupply.com

## Input Module, 24 Volt DC Pos/Neg, 8 Point: IC694MDL634



The **24 volt DC Positive/Negative Logic Input** module, IC694MDL634, provides 8 input points in one group with a common power input terminal. This input module can be wired for either positive logic or negative logic. Input characteristics are compatible with a wide range of input devices, such as pushbuttons, limit switches, and electronic proximity switches. Current into an input point results in a logic 1 in the input status table (%I). Field devices can be powered from an external supply. Depending on their requirements, some input devices can be powered from the module's +24V OUT and 0V OUT terminals.

Eight green LEDs indicate the ON/OFF status of points 1 through 8. The blue bands on the label show that MDL634 is a low-voltage module. This module can be installed in any I/O slot in an RX3i system.

### Specifications: MDL634

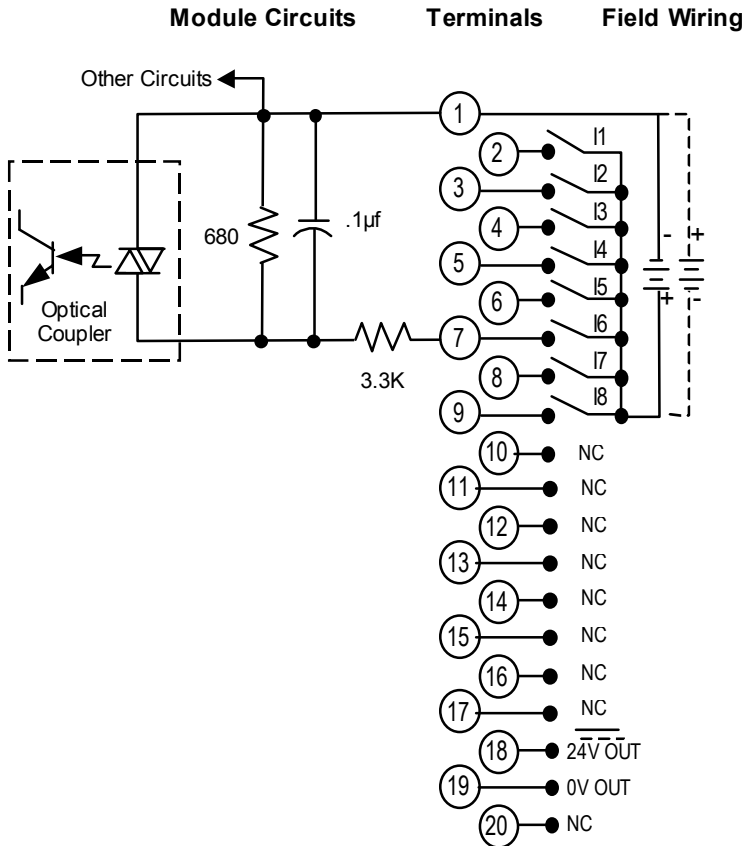
<b>Rated Voltage</b>	24 volts DC
<b>Input Voltage Range</b>	0 to +30 volts DC
<b>Inputs per Module</b>	8 (one group with a single common)
<b>Isolation: Field to Backplane (optical) and to frame ground</b>	250 VAC continuous; 1500 VAC for one minute
<b>Input Current</b>	7mA (typical) at rated voltage
<b>Input Characteristics</b>	
<b>On-state Voltage</b>	11.5 to 30 volts DC
<b>Off-state Voltage</b>	0 to +5 volts DC
<b>On-state Current</b>	3.2mA minimum
<b>Off-state Current</b>	1.1mA maximum
<b>On response Time</b>	7ms typical
<b>Off response Time</b>	7ms typical
<b>Power Consumption: 5V</b>	45mA (all inputs on) from 5 volt bus on backplane
<b>Power Consumption: 24V</b>	62mA from the Isolated 24 volt backplane bus or from user supplied power

Refer to Appendix A for product standards and general specifications.

## Field Wiring: MDL634

Terminals	Connections
1	Inputs 1-8 Common
2	Input 1
3	Input 2
4	Input 3
5	Input 4
6	Input 5
7	Input 6
8	Input 7
9	Input 8
10	No connection
11	No connection
12	No connection
13	No connection
14	No connection
15	No connection
16	No connection
17	No connection
18	24VDC for input devices
19	0V for input devices
20	No connection

Negative logic connections are shown with dashed lines in the diagram below.



Note: If the 24V OUT pin is used to connect to input devices in the field, the isolation specification for this module changes to:

**Field to Backplane (optical) and to frame ground:** 50 VAC continuous; 500 VAC for 1 minute