

IC670MDL641
New In Stock!
GE Fanuc

<http://www.pdfsupply.com/automation/ge-fanuc/field-control/IC670MDL641>

Field Control
1-919-535-3180

In Stock! 48VDC Pos./Neg. Logic Input, 16 Point, Grouped
IC670M IC670MD IC670MDL

www.pdfsupply.com

Email: sales@pdfsupply.com

Module Specifications

Module Characteristics	
Rated Voltage	48VDC
Input Voltage Range	0-60 VDC
User Input Current	2.5 mA per point @ 48 VDC
Isolation: User input to logic, user input to frame ground, group to group	250 VAC continuous, 1500 VAC for 1 minute. No isolation between individual points in a group.
Indicators	1 LED per point shows individual point status PWR LED indicates field and backplane power are present
Current drawn from Bus Interface Unit Power Supply	83 mA, maximum
Input Characteristics	
Input Impedance	10K minimum
On state voltage	Positive logic: +34V to +60V Negative logic: -34V to -60V
Off state voltage	Positive logic: 0 to +10V Negative logic: 0 to -10V
On state Current	0.3mA to 3.0mA
Off state Current	0mA to 0.5mA
On response time	6ms typical, 10ms maximum
Off response time	6ms typical, 20ms maximum

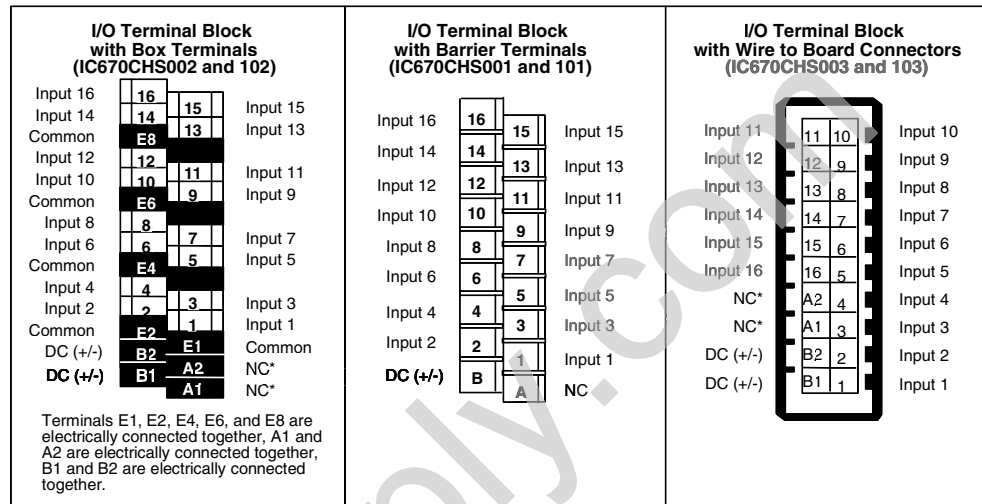
Keying Locations

Optional keying locations for the 48VDC Positive/Negative Input Module are shown below.

Keying Locations									
A	B	C	D	E	F	G	H	J	K
	x		x			x	x		

Field Wiring

The following illustration shows terminal assignments for the 24 VDC Positive/Negative Input Module.



Connection to the A terminals (marked NC in the diagram above) is optional. They can be used as shown on the next page.

The Terminal Block with box terminals has 25 terminals for each module, each of which accommodates one AWG #14 (avg 2.1mm² cross section) to AWG #22 (avg 0.36mm² cross section) wire, or two wires up to AWG #18 (avg. 0.86mm² cross section). When an external jumper is used, the wire capacity is reduced from AWG #14 (2.10mm²) to AWG #16 (1.32mm²).

The I/O Terminal Block with barrier terminals has 18 terminals per module. Each terminal can accommodate one or two wires up to AWG #14 (avg 2.1mm² cross section).

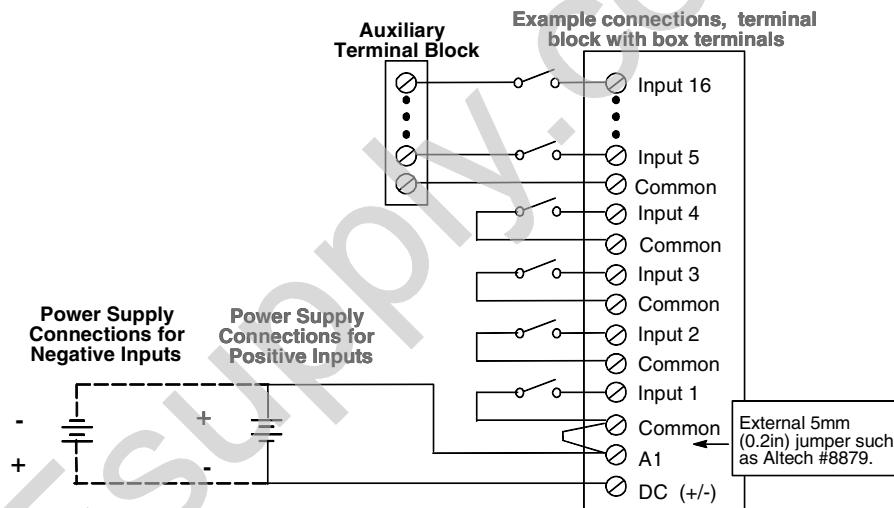
The I/O Terminal Block with Connectors has one 20-pin male connector per module. The mating connector is Amp part number 178289-8. Any tin-plated contact in the AMP D-3000 series can be used with the connector (Amp part number 1-175217-5 for high contact force receptacle for 20-24 gauge (0.20-0.56mm²) wires), 1-175218-5 for high contact force receptacle for 16-20 gauge (0.56-1.42mm²).

Wiring Examples with Auxiliary Terminal Blocks

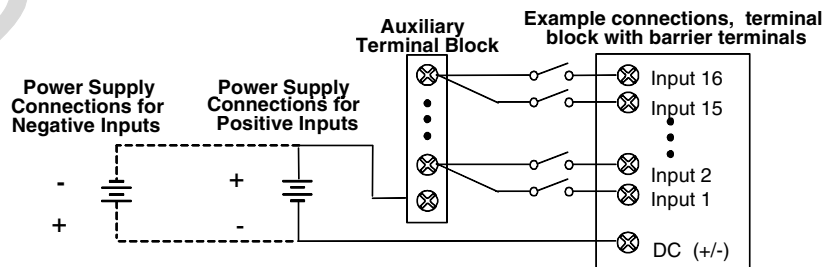
If the module is installed on an I/O Terminal Block with Barrier Terminals, an Auxiliary Terminal Block can be used to provide additional wiring terminals. For the I/O Terminal Block with Wire to Board Connectors, external connection points are usually preferred, although an Auxiliary Terminal Block can be used.

Auxiliary Terminal Blocks have all terminals connected together internally. The Auxiliary Terminal Block with box terminals has 13 terminals, each of which accommodates one AWG #14 (avg 2.1mm² cross section) to AWG #22 (avg 0.36mm² cross section) wire, or two wires up to AWG #18 (avg. 0.86mm² cross section). The Auxiliary Terminal Block with barrier terminals has nine terminals, each of which can accommodate one or two wires up to AWG #14 (avg 2.1mm² cross section).

The following illustration shows how an Auxiliary Terminal Block with Box Terminals can be used for power connections to an I/O Terminal Block with Box Terminals.



For an I/O Terminal Block with Barrier Terminals, an Auxiliary Terminal Block with Barrier Terminals might be connected as shown in the following example.



PDFSupply.com