

IC655MDL586

New In Stock!

GE Fanuc

<http://www.pdfsupply.com/automation/ge-fanuc/ge-series-five-5/IC655MDL586>

Ge Series Five 5

1-919-535-3180

GE Isolated Relay Output Form C 16 points card IC655M
IC655MD IC655MDL

www.pdfsupply.com

Email: sales@pdfsupply.com

GFK-0123

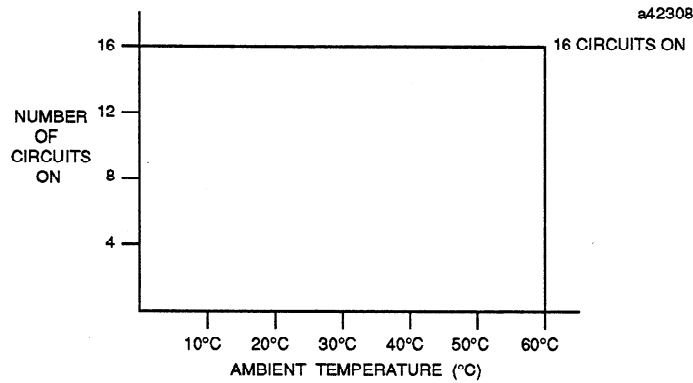


Figure 45. Output Points vs. Temperature for IC655MDL586

Wiring Information - IC655MDL586

The following figure provides the information required for connecting field devices to this module.

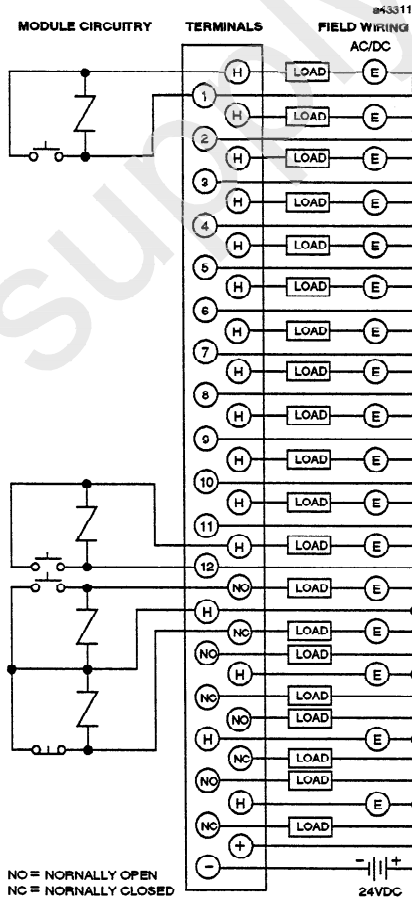


Figure 46. Field Wiring and Typical Circuit for IC655MDL586