

**IC655MDL551**

**New In Stock!**

**GE Fanuc**

<http://www.pdfsupply.com/automation/ge-fanuc/ge-series-five-5/IC655MDL551>

**Ge Series Five 5**

**1-919-535-3180**

GE 12-24Vdc Output, Negative Logic 16 points IC655MD  
IC655MD IC655MDL

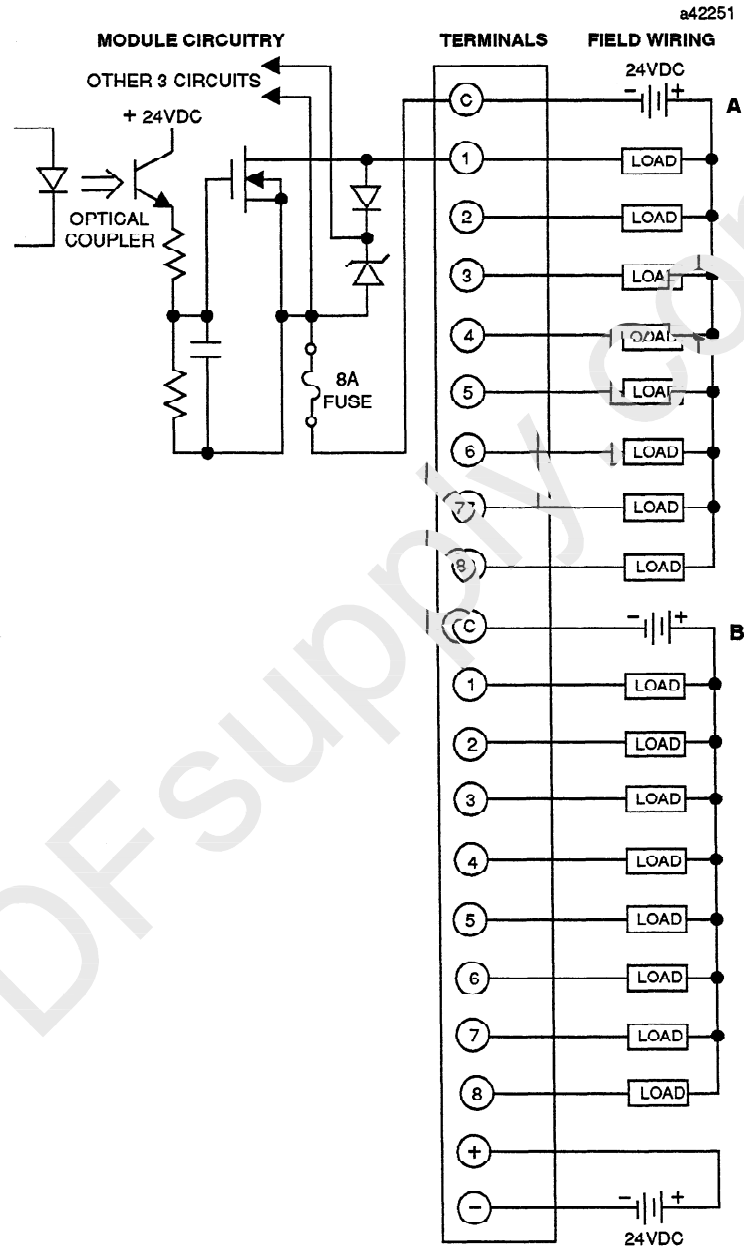
[www.pdfsupply.com](http://www.pdfsupply.com)

**Email:** [sales@pdfsupply.com](mailto:sales@pdfsupply.com)

GFK-0123

**Wiring Information - IC655MDL551**

The following figure provides the information required for connecting user supplied loads and power source to this module.



**Figure 28. Field Wiring and Typical Circuit for IC655MDL551**