

IC655MDL502

New In Stock!

GE Fanuc

<http://www.pdfsupply.com/automation/ge-fanuc/ge-series-five-5/IC655MDL502>

Ge Series Five 5

1-919-535-3180

In Stock! GE 12-24Vdc Input Negative Logic 32 points IC655MD
IC655MD IC655MDL

www.pdfsupply.com

Email: sales@pdfsupply.com

GFK-0123

Wiring Information - IC655MDL502

The following figure provides the information required for connecting field devices to this module.

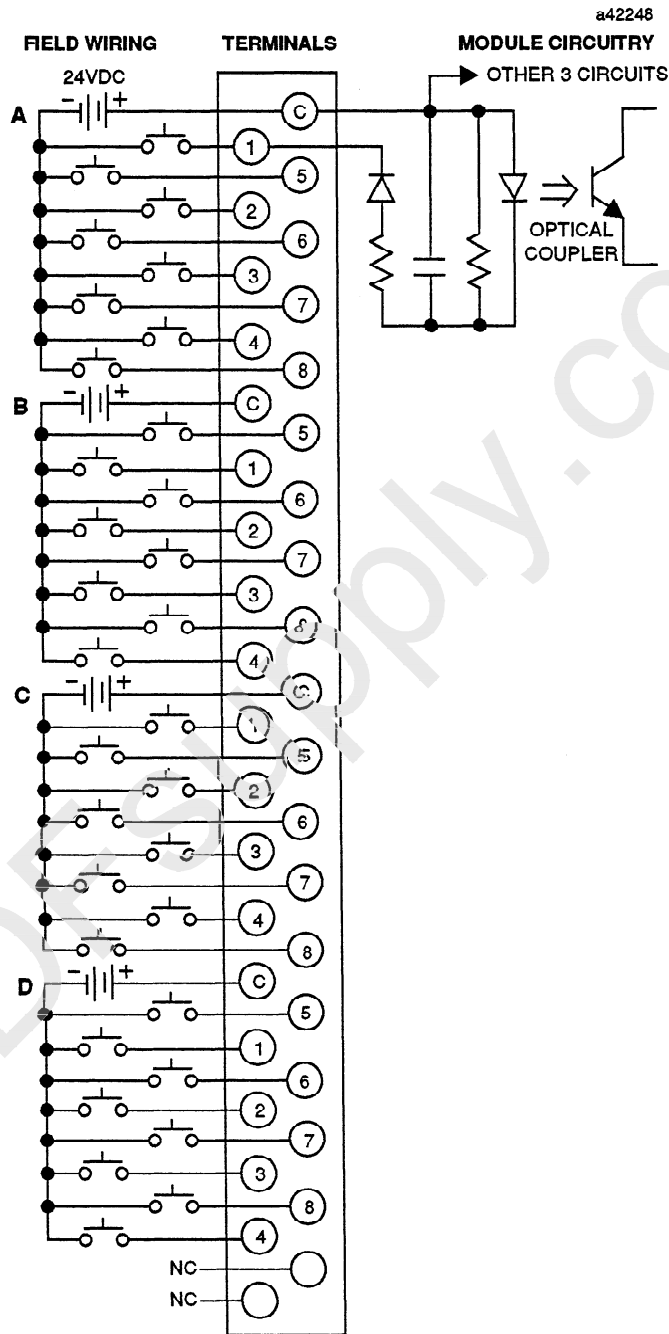


Figure 10. Field Wiring and Typical Circuit for IC655MDL502