

**IC630MDL380**

**New In Stock!**

**GE Fanuc**

<http://www.pdfsupply.com/automation/ge-fanuc/ge-series-three-3/IC630MDL380>

**Ge Series Three 3**

**1-919-535-3180**

In Stock! Relay Output Module 16 points IC630M IC630MD  
IC630MDL

[www.pdfsupply.com](http://www.pdfsupply.com)

Email: [sales@pdfsupply.com](mailto:sales@pdfsupply.com)

Table 6.3  
LOAD CURRENT LIMITATIONS

Operating Voltage	Maximum Current for Load Type			Typical Contact Life (Number of Operations)
	Resistive	Lamp	Solenoid	
220 Vac	4 Amp	0.5 Amp	0.5 Amp	100,000
220 Vac		0.05 Amp	0.05 Amp	800,000
110 Vac	4 Amp	0.5 Amp	0.5 Amp	100,000
110 Vac		0.1 Amp	0.1 Amp	650,000
24 Vdc	4 Amp	0.5 Amp		100,000

NOTE

Lamp loads are defined as having a X10 inrush with a power factor (PF) of 1.00 and when turned OFF represent a PF of 1.00. Solenoids are defined as having a X10 inrush with a PF of 0.65 and when turned OFF represent a PF of 0.35.

Figure 6.13 provides wiring information for the Relay Output module.

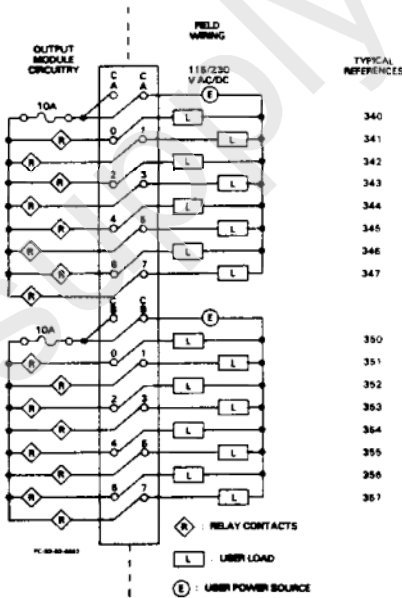


Figure 6.13  
RELAY OUTPUT USER CONNECTIONS