

IC630MDL375

New In Stock!

GE Fanuc

<http://www.pdfsupply.com/automation/ge-fanuc/ge-series-three-3/IC630MDL375>

Ge Series Three 3

1-919-535-3180

In Stock! 115/230Vac Output Module 16 points IC630M IC630MD
IC630MDL

www.pdfsupply.com

Email: sales@pdfsupply.com

Figure 6.3 provides user wiring information for the 115/230 VAC output module.

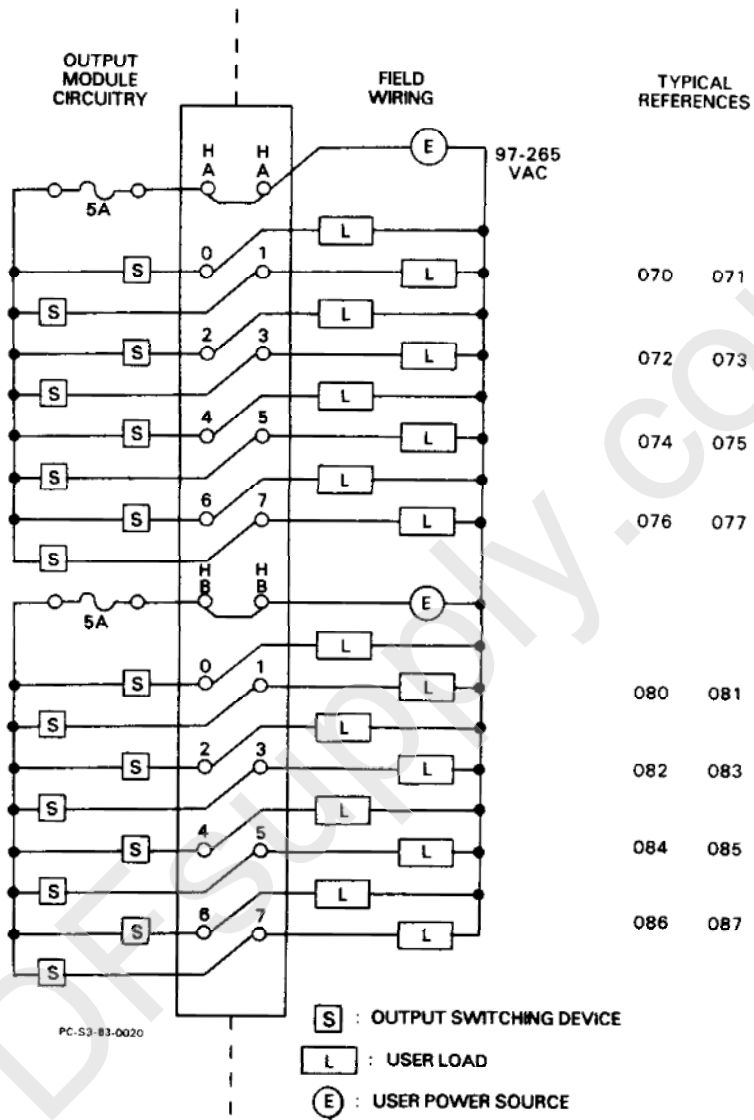


Figure 6.3
115/230 VAC OUTPUT, TYPICAL USER CONNECTIONS