

**IC610MDL127**

**New In Stock!**

**GE Fanuc**

<http://www.pdfsupply.com/automation/ge-fanuc/ge-series-one-1/IC610MDL127>

**Ge Series One 1**

**1-919-535-3180**

GE 230Vac Input (8 points) IC610M IC610MD IC610MDL

[www.pdfsupply.com](http://www.pdfsupply.com)

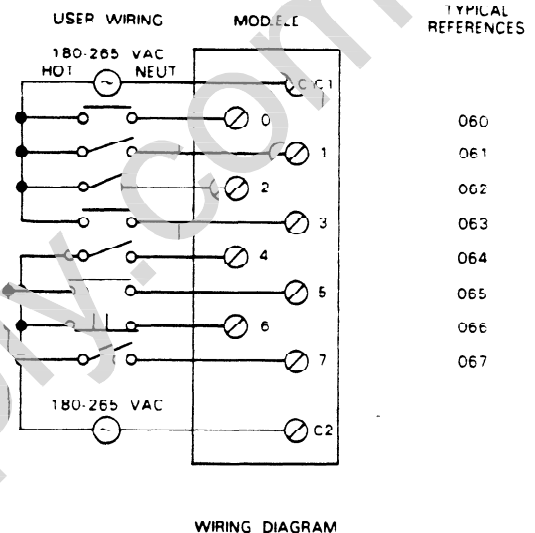
**Email:** [sales@pdfsupply.com](mailto:sales@pdfsupply.com)

### 230 V ac Input IC610MDL127

This module provides 8 circuits, each designed to receive a single discrete (ON/OFF) signal from user supplied devices. Typical input devices include limit switches, pushbuttons, selector switches, and relay contacts. The 8 circuits are divided into two groups of 4 circuits each. Each of the 2 groups can be supplied from a separate power source. Power to operate the field devices must also be supplied by the user. Following are specifications for each of these 8 circuits.

<b>Input Points</b>	8
<b>Operating Voltage</b>	180-265 V ac
<b>AC Frequency</b>	47-63 Hz
<b>Input Current</b>	18 mA (265V, 60 Hz), Max. 11 mA, Typical
<b>Input Impedance</b>	18 K ohms @ 60 Hz
<b>ON Voltage</b>	Above 180 V ac
<b>OFF Voltage</b>	Below 40 V ac
<b>OFF Current</b>	< 2 mA
<b>OFF to ON Response</b>	5-50 ms
<b>ON to OFF Response</b>	5-60 ms
<b>Circuit Indicators</b>	Field Side
<b>Internal Power Consumption</b>	10 mA, 9 V dc
<b>Units of Load</b>	1 Unit @ 9 V dc
<b>Weight</b>	5 oz (140 g)

pc-s1-84-0024



Field connections are made to screw terminals or a terminal block mounted on the faceplate. Each terminal will accept up to one No. 12 AWG wire or two No. 14 wires. The C1 and C2 common terminals are isolated from each other.

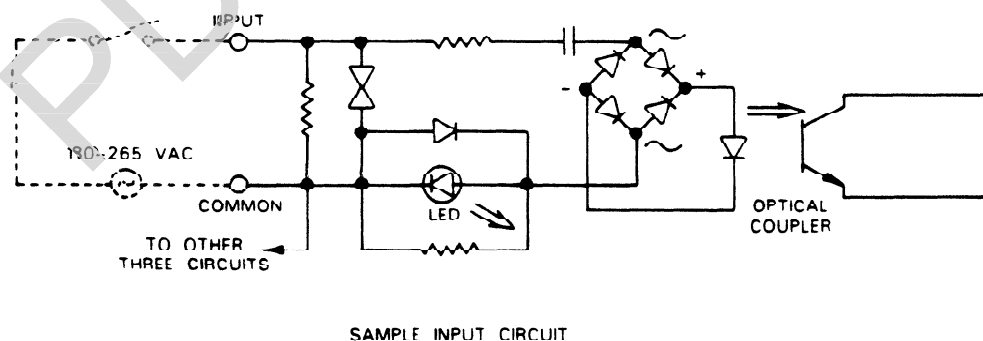


Figure 6-6. Wiring for 230 V ac Inputs