

GFK-1543
New In Stock!
~~GE Fanuc Manuals~~

[http://www.pdfsupply.com/automation/ge-fanuc-manuals/operator-
interface/GFK-1543](http://www.pdfsupply.com/automation/ge-fanuc-manuals/operator-interface/GFK-1543)

operator-interface
1-919-535-3180

Display Station 2020

www.pdfsupply.com

Email: sales@pdfsupply.com



GE Fanuc Automation

Operator Interface Products



Display Station 2020

User's Guide

GFK-1543C

July 2000

Warnings, Cautions, and Notes as Used in this Publication

Warning

Warning notices are used in this publication to emphasize that hazardous voltages, currents, temperatures, or other conditions that could cause personal injury exist in this equipment or may be associated with its use.

In situations where inattention could cause either personal injury or damage to equipment, a Warning notice is used.

Caution

Caution notices are used where equipment might be damaged if care is not taken.

Note

Notes merely call attention to information that is especially significant to understanding and operating the equipment.

This document is based on information available at the time of its publication. While efforts have been made to be accurate, the information contained herein does not purport to cover all details or variations in hardware or software, nor to provide for every possible contingency in connection with installation, operation, or maintenance. Features may be described herein which are not present in all hardware and software systems. GE Fanuc Automation assumes no obligation of notice to holders of this document with respect to changes subsequently made.

GE Fanuc Automation makes no representation or warranty, expressed, implied, or statutory with respect to, and assumes no responsibility for the accuracy, completeness, sufficiency, or usefulness of the information contained herein. No warranties of merchantability or fitness for purpose shall apply.

The following are trademarks of GE Fanuc Automation North America, Inc.

Alarm Master	GENet	Motion Mate	Series One
CIMPLICITY	Genius	PowerMotion	Series Six
CIMPLICITY PowerTRAC	Genius PowerTRAC	ProLoop	Series Three
CIMPLICITY 90-ADS	Helpmate	PROMACRO	VersaMax
CIMSTAR	Logicmaster	Series Five	VuMaster
Field Control	Modelmaster	Series 90	Workmaster

Content of This Manual

This manual describes the features and operation of the following CIMPLICITY Display Station products:

Catalog Number	Description
IC752WFB204 IC752WFB254 IC752SPL006	CIMPLICITY HMI for CNC with Windows NT - includes High Speed Serial Bus (HSSB) card
IC752WFB202 IC752WFB252 IC752SPL007	CIMPLICITY HMI with Windows NT
IC752WFB203 IC752WFB253	CIMPLICITY HMI with Windows 95
IC850PCT300	CNC Display Station with Windows NT

Revisions to this Manual

This version of this manual (GFK-1543C) contains the following changes as compared to the previous version (GFK-1543B):

- Instructions for using the Image Recovery Disk – page 2-9.

Related Publications

GFK-1189	<i>CIMPLICITY[®] HMI for Windows NT[™] and Windows[®] 95 Important Product Information</i>
GFK-1180	<i>CIMPLICITY[®] HMI for Windows NT[™]/CIMPLICITY HMI for Windows[®] 95 CIMPLICITY Server for Windows NT[™] Base System User Manual</i>
GFK-1181	<i>CIMPLICITY[®] HMI for Windows NT[™]/CIMPLICITY HMI for Windows[®] 95 CIMPLICITY Server for Windows NT[™] Device Communications Manual</i>
GFK-1396	<i>CIMPLICITY[®] HMI for Windows NT and Windows 95 CimEdit Operation Manual</i>
GFK-1341	<i>CIMPLICITY[®] HMI/HMI for CNC operation manual</i>

Chapter 1	Display Station 2020 Features.....	1-1
	Feature Summary.....	1-2
	Display Station Features.....	1-2
	Optional Features.....	1-3
	Access Panel.....	1-3
	System I/O.....	1-3
	Standard I/O.....	1-3
	ISA and PCI Card Expansion.....	1-4
	Network Interface.....	1-4
	Application Software.....	1-4
Chapter 2	Powerup and Software Installation.....	2-1
	Initial Startup.....	2-1
	Powering Up the Display Station Unit.....	2-1
	Setting Up Windows 95 Systems (WFB203, WFB253 Models).....	2-2
	Setting Up Windows NT Systems.....	2-3
	Configuring the Display Station to Run on a Microsoft Network.....	2-4
	Login Recommendation.....	2-5
	Registering Your CIMPLICITY Software.....	2-5
	Installing Application Software.....	2-6
	Directory Structure.....	2-6
	Windows NT Systems.....	2-6
	Windows 95 Systems.....	2-6
	Reloading Windows NT on the Hard Disk From CD.....	2-7
	Display Station 2020 Windows NT Touch Screen Driver Installation.....	2-7
	Image Recovery.....	2-9
	Instructions for Image Recovery.....	2-9
	Shutting Down the Computer.....	2-9
Chapter 3	Hardware Installation.....	3-1
	Mounting Guidelines.....	3-1
	Mounting Procedure.....	3-2
	Installing Expansion Cards.....	3-3
	Blanking Plates.....	3-5
	Configuring Expansion Cards (Legacy ISA Only).....	3-6
	Changing the Air Filter Element.....	3-7

Chapter 4	Connectors	4-1
	Power Input.....	4-2
	Connector Layout	4-3
	System I/O	4-4
	Printer Port LPT1	4-4
	Serial Communication Cables.....	4-5
Chapter 5	System Operation.....	5-1
	System Peripherals	5-2
	Hard Disk Drive.....	5-2
	Floppy Disk Drive.....	5-2
	CD-ROM Drive.....	5-3
	External Keyboard and Mouse	5-3
	Graphic System	5-4
	Graphics Controller.....	5-4
	Display Types.....	5-4
	Operator Interfaces.....	5-5
	Keypad.....	5-5
	Control and Status Functions	5-8
	Touch Screen.....	5-9
	Touch Screen Driver for Windows	5-9
	Touch Screen Calibration Procedure.....	5-9
	Setting the Backlight Dimming Control.....	5-10
	Dimming Control Settings	5-10
	Setting the Timeout Period for Timed Mode	5-11
	CIMPLICITY Software.....	5-11
	Communications	5-12
Chapter 6	BIOS Settings.....	6-1
	Restoring Factory CMOS Settings.....	6-1
	CMOS Checksum Error.....	6-2
Chapter 7	Diagnostics and Troubleshooting.....	7-1
	Self-Test Diagnostics	7-1
	System Test and Initialization	7-1
	System Configuration Verification	7-1
	Troubleshooting.....	7-2
	Powerup.....	7-2
	Display.....	7-3
	Memory	7-3
	External PS2 Mouse.....	7-4
	Keyboard.....	7-4

Communications	7-5
PLC/CPU Connection	7-5
MODBUS RTU Communications	7-5
Network Communications	7-6
Printing	7-6
Frequently Asked Questions	7-7
Hardware FAQs.....	7-7
Software FAQs.....	7-7
Appendix A Technical Data.....	A-1
Mechanical Specifications	A-1
Functional Specifications.....	A-2
Filter Pads	A-4

Chapter 1

Display Station 2020 Features

The Display Station 2020 is a high performance workstation designed primarily for use as a hardware platform for Human Machine Interface (HMI) and Supervisory Control and Data Acquisition (SCADA) software packages running under either Windows® 95 or Windows NT® operating systems.

Each model in the Display Station 2020 family is a fully self contained PC compatible computer with a built-in flat screen display and resistive touch screen, housed in an industrial IP65 rated front panel mounted unit, weighing less than 16 kg (35.28 lbs.). The unit is housed in a rugged metal case to protect the system against dust, water, and damage. The enclosure provides front panel access to peripherals such as CD-ROM, floppy drive, PS/2 connector, and parallel ports.

Display Stations are available with autoranging main power input unit for 115/230 VAC operation.

The unit is supplied completely assembled and requires only mounting and connecting. The use of special clips to secure the unit to the panel eliminates the need for mounting holes and requires only one cut-out to mount the unit.

Before powering up your system for the first time, you should refer to the procedures in Chapter 2, which contains information you need to set up the operating system and network communications.



Feature Summary

When you purchase a Display Station system, you receive:

- Display Station industrial computer with CIMPLICITY HMI software and operating system software installed. (See “Standard Features” below. Demo only for IC850PCT300.)
- Power cord
- Installation hardware
- CIMPLICITY software licenses and license agreements (not included in IC850PCT300)
- Ethernet driver floppy disk and manual
- Microsoft Windows documentation, software distribution, Certificate of Authenticity and license agreement

Display Station Features

Catalog Number	
IC752WFB202/252 IC752SPL007	DS2020, Windows NT
IC752WFB204/254 IC752SPL006	DS2020, Windows NT with High Speed Serial Bus Card (HSSB)
IC850PCT300	DS2020, Windows NT with CIMPLICITY HMI for CNC (Demo software only)
IC752WFB203/253	DS2020, Windows 95 operating system
CIMPLICITY HMI software	Unlimited Point Count Development and Runtime software
CPU	Pentium, 233 MHz minimum*
Hard disk	6.4 GB minimum*
Floppy disk drive	3.5 inch, 1.44 Mbyte
CD ROM drive	32x speed minimum*
RAM	64 MB minimum* Display Stations allow you to install a maximum of 256MB of DRAM.
Display	Color TFT –SVGA 800 x 600
Parallel ports	One LPT1
Serial port	One RS-232

*Contact your local distributor for upgrades and options.

Optional Features

The following features are optional on many models in the Display Station range. Contact your GE Fanuc distributor for details.

- Additional DRAM (SIMMs)
- Higher Speed CPU
- CIMPLICITY HMI software license (IC850PCT300 only)

Access Panel

A lockable front access panel provides access to the peripheral facilities, floppy disk, CD-ROM drive, printer port, keyboard and PS2 mouse connectors. This panel also incorporates a membrane keypad that provides full keyboard facilities.

System I/O

Standard I/O

The Display Station 2020 provides the following I/O interface channels:

- A single serial interface port is provided by the processor motherboard. It uses a standard 9-pin D type connector.
- A single enhanced parallel port is also provided by the motherboard. This port is accessible at the front of the unit under the access panel.

If the end application requires serial or parallel interfaces in addition to those provided by the standard system, these can be provided by the addition of specific ISA or PCI I/O cards. A wide selection of ISA and PCI cards is available from 3rd party sources to provide user flexibility.

ISA and PCI Card Expansion

Display Station 2020 provides two expansion slots. The slots available are two ISA and one PCI.

- One ISA slot
- One PCI/ISA shared slot (not available with IC752WFB2x4 or IC752SPL006)

All the expansion slots within the system allow the card to be clamped into place using a clamping bracket with screws adjustable to the height of the card.

Network Interface

The Display Station includes an autosensing 10/100 Ethernet adapter that provides a RJ-45 connector for unshielded twisted pair cable

Application Software

Display Stations 2020 are supplied with CIMPLICITY HMI software, which is preloaded before shipment of the Display Station. (Demo software only for IC850PCT300.)

Chapter 2

Powerup and Software Installation

This chapter contains information you need to set up your Display Station's operating system and network communications. For details on Windows 95 systems, refer to page 2-2. For details on Windows NT systems, refer to page 2-3.

Initial Startup

When you first power up your system, you will need to attach a standard PS2-type keyboard to the external keyboard port on the Display Station. When the system starts up, you will be required to enter the Product ID from the Windows 95 or Windows NT Certificate of Authenticity and other data to set up your system.

Also, most configuration activities that you perform on a Display Station system can be more easily completed using a keyboard or may require a keyboard.

For details on power supply input, see Chapter 4.

Powering Up the Display Station Unit

Caution

Do not connect or disconnect external devices, such as a printer or a PS2 mouse or keyboard, while the unit is powered. Failure to observe this precaution could result in damage to the equipment.

The power switch is located on the side of the Display Station unit next to the input power connector. To power up the unit, set the rocker switch to the on position.

During power up, the processor will run its normal diagnostic checks and indicate the presence of any errors either with a screen prompt or with warning beeps.

Setting Up Windows 95 Systems (WFB203, WFB253 Models)

Before you get started, you need a PS2 keyboard. A PS2 mouse is also recommended to help navigate through the setup screens.

1. Plug in the keyboard, PS2 mouse (if available), and power cord.
2. Power on the unit. The Windows 95 Setup screen will appear.
3. Type your name.
4. Press the TAB key and type your company name
5. Press ENTER.
6. Read the license agreement
7. Click your choice.
8. Click Next.
9. Enter the Windows 95 Certificate of Authenticity number found on the front of your Windows 95 manual. Press ENTER.
10. The network card used in these systems supports Plug & Play installation.
11. Windows 95 will go through setup.
12. When prompted for Date/Time Properties, use your left and right arrow keys to set the time zone to your time zone. Press ENTER.
13. If you have a printer connected, click Next and select your printer model type. If not, click the Cancel button. The Welcome to Windows 95 window will appear.
14. Click Close for the Welcome to Windows 95 window.

Setting Up Windows NT Systems

Before you get started, you need a PS2 keyboard. A PS2 mouse is recommended to help navigate through the setup screens.

1. Plug in the keyboard, PS2 mouse (if available), and power cord.
2. Power on the unit.
3. Read license agreement
4. TAB to your choice and press ENTER.
5. Type your name
6. Press the TAB key and type your company name.
7. Press ENTER.
8. Enter your Windows NT Authentication number found on your Windows NT manual. You will need to use the TAB key to get to each number field. If correct, press ENTER.

Note

Computer names must be less than or equal to ten characters to run CIMPLICITY HMI software. Each computer on a network must have a unique name.

9. Enter a Computer name. This name should be unique to other computers on the same network. Press ENTER.

Note

Your system has been set up to enable autologon. Autologon allows the system to boot into Windows NT without your having to use a keyboard to press CTL-ALT-DEL.

10. You will be prompted for a password.
 - To use the autologon feature, type **admin** for the password. Press the TAB key and type **admin** in the Confirm Password box. Press ENTER.
 - To skip the password, press ENTER
 - To assign a password, type in a password, press the TAB key, and type the password in the Confirm Password box. Press ENTER.
11. Press ENTER to continue with Windows NT Setup.
12. Click Finish.

Note

With Windows NT, it is highly recommended that you create an Emergency Repair Disk once you have completed the setup of your system. Go to Start/Run/Rdisk.exe. You will need to update this disk anytime you make a change to the hardware or software.

Configuring the Display Station to Run on a Microsoft Network

Before setting up your new Display Station for the network, you should consult with your network administrator. Duplicate TCP/IP addresses and duplicate computer names on the same network can cause network problems.

1. Click the Start icon, then click Settings and Control Panel.
2. In the Control Panel window, double click the Network icon. The Network dialog box will appear.
3. In the Network dialog box, click the Identification tab. You will need to type in your Computer name, Workgroup name, and Computer Description.

Note

Computer names must be less than or equal to ten characters to run CIMPLICITY software. Each computer on a network must have a unique name.

In Windows 95 systems, for Viewers and HMIs to be able to browse remote nodes, the local computer name must be entered into the `/WINDOWS.000/HOSTS` file.

4. To allow sharing,
 - A. Go to the Configuration tab and click the File and Print Sharing button. The File and Print Sharing dialog box will appear.
 - B. Check the File and Print Sharing options that you want and click OK.
5. To add the TCP/IP protocol,
 - A. Go to the Configuration tab and click the Add button. The Select Network Component dialog box will appear.
 - B. Click the Protocol icon and click Add. The Select Network Protocol dialog box will appear.
 - C. In the Manufacturer list, select Microsoft. In the Protocol list, select TCP/IP. Click OK.
 - D. Change the Address from 10.0.0.1 to a unique address. Change the default subnet mask 255.0.0.0 to your subnet mask.
 - E. Click OK twice.
6. When you have finished setting up the Network, click OK in the Network dialog box. Click Yes to reboot your system now.

Login Recommendation

If you type **admin** as your Administrator password, your Display Station will automatically log on as Administrator.

Log onto the system as Administrator when you power up the system. Doing so eliminates the requirement to log on to CIMPLICITY when you run the CIMPLICITY Demo or any other CIMPLICITY project that includes a user named Administrator. All CIMPLICITY projects are configured with an Administrator user by default.

Registering Your CIMPLICITY Software

(Not applicable to IC850PCT300 models)

Licenses have been loaded for CIMPLICITY HMI Base, Trending, TCP/IP Communications, and Series 90 SNP Communications. If you purchase additional product options to run on the Display Station, it is necessary to contact GE Fanuc to update the system licensing.

1. Click Start, Programs, CIMPLICITY, HMI, Registration.
2. Click Next for new User.
3. Read the License Agreement and select Yes if you agree.
4. Fill in the User Information.
5. Click Next
6. Open your CIMPLICITY software box and find your license packs. Open each license pack and type the serial numbers in the fields provided.
7. Call the CIMPLICITY phone number that appears on the screen.

Faxes and phone calls will be processed between 8 AM and 5 PM Eastern time, Monday through Friday, except for regularly scheduled holidays. Faxes and calls received after hours, on weekends, or holidays will be processed as soon as possible on the following business day.

When you phone, please be prepared to provide GE Fanuc with the following information:

- Your User information
- CIMPLICITY serial numbers
- The System Key Code generated during the registration procedure

Note

When it is installed without the authorization code, you can run the software as a fully functional system in two-hour increments.

Your CIMPLICITY software can also be registered over the internet. Contact "Software Registration" at www.gefanuc.com/cimlicity.

Installing Application Software

The Windows operating system and CIMPPLICITY HMI software are loaded onto the Display Station unit at manufacture. If it is necessary to reload software, follow the instructions in the documentation supplied with the software. The following sections give tips for customizing the software for the Display Station platform.

Directory Structure

The contents of the Display Station hard drive, as shipped from GE Fanuc are listed below.

Windows NT Systems

C:\CIMCD\i386	CIMPPLICITY CD
C:\i386	Windows NT CD
C:\TBASE	Touch screen drivers
C:\i386\DRVLIB.NIC\Intel 55	Network drivers
C:\SP4\i386	Service pack 4 drivers
C:\LS120	Imation Superdisk Floppy Backpack drivers

Note

If you reload any Windows NT component requiring files, such as network driver, you must reload service pack 4. To do this type:

C:\SP4\UPDATE

Windows 95 Systems

C:\CIMCD\i386	CIM CD
C:\Windows\Options\CABS	Windows 95 CD

Reloading Windows NT on the Hard Disk From CD

To reload Windows NT you should follow the instructions in the Windows NT manual from Microsoft Corporation. After completing the installation, the BOOT.INI file must be modified to ensure that the touch screen works correctly.

- Edit the BOOT.INI file and add the /noserialmice:com2 option to the end of each entry in the [operating systems] section of BOOT.INI.
- If you have concerns about performing this step call the CIMPLICITY Hotline for assistance.

Note

You must use version TNdriver 1.26 or higher of the touch screen driver to avoid a system crash during boot up.

You may need to set up the display driver in the event of a reload. Go to Control Panel/Display/Settings and set Colors to 65536, Resolution to 800 x 600, Refresh to 60 Hz, and Display Type to Chips & Technologies 65550.

Display Station 2020 Windows NT Touch Screen Driver Installation

If the Display Station touch screen drivers become corrupt, an experienced user can try re-installing the drivers and editing the boot.ini file by doing the following procedure:

1. Initial driver installation is completed by double clicking NT setup on the touch driver floppy disk. Once installed, the computer will request that you reboot the system.

The touch screen will not work until you edit the NTboot.ini file in the root directory of Windows NT. A suggested procedure follows:

2. Open Windows Explorer. Clock View and the menu bar and make sure that you are viewing all files.
3. Click the (C:) drive to display all files.
4. Find the "boot" folder in your contents and right click.
5. Click the Properties option.
6. Click the General tab and make sure that all the attributes are unchecked: Archive, Apply, and Read-only. Once all boxes are unchecked, click Apply and then OK to return to Windows Explorer.
7. Double click the boot folder. Wordpad will display five lines of code.

8. Edit the fourth and fifth line of code to be identical to the code shown below:

```
[boot loader]

timeout=5

default=multi(0)disk(0)rdisk(0)partition(1)\WINNT="Windows NT Workstation Version 4.00"

[operating systems]

multi(0)disk(0)rdisk(0)partition(1)\WINNT="Windows NT Workstation Version 4.00"

/NoSerialMice:Com2

multi(0)disk(0)rdisk(0)partition(1)\WINNT="Windows NT Workstation Version 4.00 [VGA mode]"

/basevideo /sos /NoSerialMice:Com2
```

9. From the File menu, Save, then Exit Wordpad.
10. Click the Windows NT Start button and select Shut Down.
11. **Turn the computer off.** The NT driver will not load properly if you only restart the computer. It must be completely powered down.
12. Turn the computer on.
13. Click the Windows NT Start button, select Programs, Touch, and Touch Screen Control.
14. Click the Hardware Controls button and check that COM2 is selected.
15. Click the Calibrate button and follow the procedures for calibration.
16. Exit the program.

Image Recovery

The following procedure provides instruction on how to use the *Field Image Recovery Disk* (44A749863-G01Rxx). This disk will enable you to recover all software on your computer as received initially from GE Fanuc.

Warning

Before attempting an Image Recovery on your unit, make sure to record all critical settings and conduct a full back up of all CIMPLICITY Projects and critical documents. You will also need to have your CIMPLICITY registration and Microsoft Authorization Numbers handy. This process will clear all contents from your Hard Drive and return your system to the factory configuration.

Instructions for Image Recovery

1. Prior to Image Recovery, a standard PS/2-type keyboard will need to be connected to the external keyboard port.
2. Insert the *Field Image Recovery Disk* into the Floppy Drive
3. After inserting the Recovery Disk, the system will prompt you to restore the image. Select <1> to “RESTORE SYSTEM TO ORIGINAL CONDITION”. If you have initiated this process in error, press <2> and Exit the Recovery program.
4. Select <1> again to “PROCEED WITH SOFTWARE RESTORE”. Choose <2> to cancel Recovery and exit to MS-DOS®.
5. At this point the factory image will be recovered from a hidden partition on the Hard Drive. This will take approximately 12 minutes. When prompted, reboot your system.
6. After rebooting your unit, the system will bring you to the initial startup screens as received from the factory. Refer to the Display Station User’s Guide for Microsoft set-up, Network configuration, and CIMPLICITY HMI initialization.

If you have any questions about this procedure, please contact 1-800 GE FANUC.

® MS-DOS is a registered trademark of Microsoft Corporation.

Shutting Down the Computer

Caution

To avoid damaging files, always shut down Windows software before removing power from your Display Station product.

To shut down Windows 95 or Windows NT software, select Shut Down from the Start menu.

Chapter 3

Hardware Installation

This chapter describes the procedures for the safe location and securing of the Display Station 2020. The Display Stations have been designed to ensure simple installation of the system.

A single cut-out in the mounting panel is all that is required when mounting the Display Station. No extra mounting holes are needed. Instead, ten spring loaded clips are supplied and are used to secure the unit from behind the mounting panel.

This chapter also describes how to install ISA and PCI cards and how to change the air filter.

Mounting Guidelines

Note

The IP65 rating applies to the front panel of the Display Station only and not to the rear of the unit.

In order to meet the European EMC requirements for ESD (EN 61000-4-2) of +/- 4.0kV, the unit must be installed in a grounded metal enclosure when used in conjunction with the DeviceNet PCI/ISA expansion card (PC752DVM000).

- In an industrial environment, the panel into which the unit is mounted should provide protection from dust, dirt and water.
- The front access panel must be closed and locked for IP65 protection.
- The panel should be capable of supporting the weight of the Display Station without distortion to the panel. The mounting clips will support a panel thickness of up to 10mm (0.39 inch).
- All ten of the mounting clips must be fitted properly to achieve a good seal between the Display Station and the panel to which it is mounted.
- Inlets and outlets must have at least 25mm of space around them and not be obstructed.

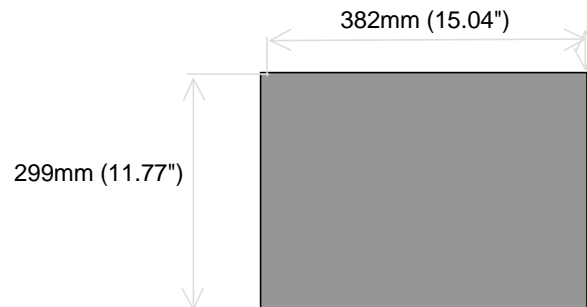
Adequate airflow around the exterior of the unit is important to the interior temperature of the unit. Two fans are used to create air flow through the Display Station ensuring that a correct working temperature is maintained. The first of the fans is located within the unit and is used to cool the processor. The second fan is built into the power supply housing and blows air out of this unit.

Incoming air passes through a filter that removes dust and dirt. The filter should be checked and replaced regularly. For details, see page 3-7.

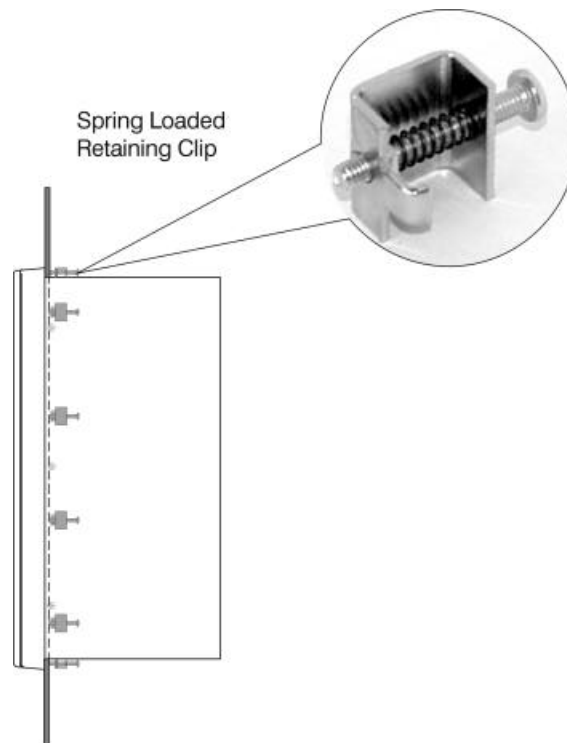
Mounting Procedure

Use the following procedure to mount the Display Station 2020.

1. Cut an opening in the panel to the dimensions shown. The cut-out dimensions of 382 x 299mm (15.04" x 11.77") allow a 1.2mm clearance on each edge of the Display Station. The unit requires a minimum of 227mm (8.94") depth when mounted.



2. Position the Display Station in the cut-out and fit the ten spring loaded retaining clips into the slots on the Display Station. All ten clips must be used to produce a good seal.



3. Screw in the tightening screws on each clip so that the spring is compressed by the nut. To ensure a good seal between the Display Station and the mounting panel, the clips must be tightened evenly. (Tighten each of the clips in turn, a little at a time.)
4. When the springs are fully compressed, no further tightening of the clips is necessary. The Display Station is locked into place.

Installing Expansion Cards

Display Station 2020 provides three expansion slots.

- One ISA slot
- One PCI/ISA shared slot (not available on IC752WFB2x4 and IC752SPL006 Models)

If your card is a Legacy ISA type, follow the instructions on page 3-6, then proceed with installation.

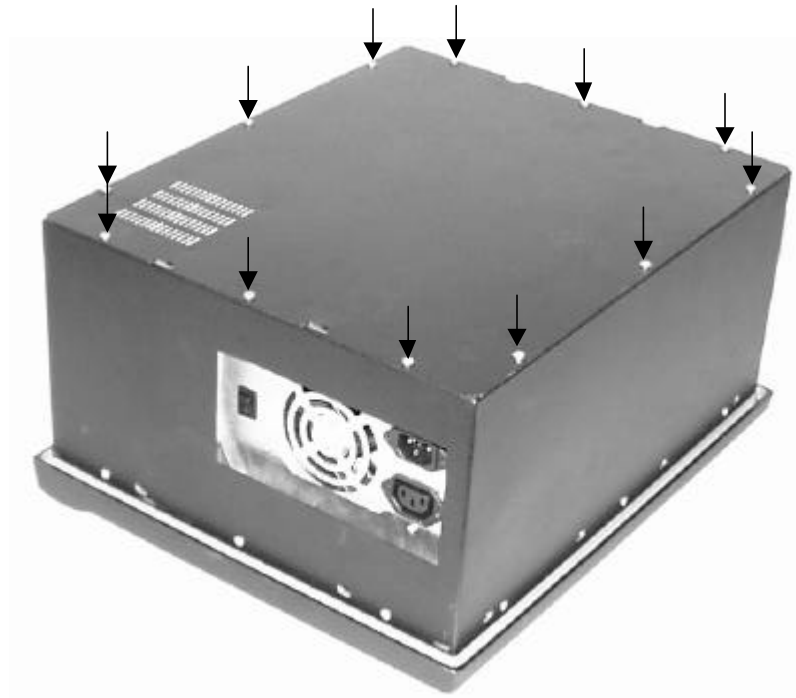
All the expansion slots within the system allow the card to be clamped into place using a clamping bracket with screws adjustable to the height of the card.

The rear cover of the Display Station must be removed in order to access the ISA and PCI bus cards. Ten screws are used to secure the rear panel to the Display unit.

When these screws are removed, the backplate will slide upwards and can then be lifted clear of the main unit.

Warning

To avoid a risk of electric shock, turn off power to the Display Station and disconnect the power supply before removing the rear cover from the unit. To disconnect the unit from the main power, remove the power cord.

**Caution**

To avoid damage from electrostatic discharge, adhere to the following precautions when installing ISA and PCI cards:

- The card is packaged in a static-safe bag which protects the product during shipping. Before removing the card from this bag, be prepared to handle it in a static-safe environment.
- Wear a properly functioning antistatic strap and be sure that you are fully grounded. Never touch the card, or any components inside the Display Station, unless you are wearing an antistatic strap.
- Any surface upon which you place the unprotected card should be static-safe, facilitated by antistatic mats, if possible.
- Extra caution should be taken in cold, dry weather, when static charges can easily build up.

Blanking Plates

Blanking plates are fitted to each unused card position, as shown in Figure 3-1. These blanking plates can be removed as necessary in order to install new cards. Any empty slots must have a blanking plate fitted, otherwise the air flow will not comply with agency requirements.



Internal View of Display Station

Configuring Expansion Cards (Legacy ISA Only)

Caution

For most applications an IRQ or address cannot be shared by more than one resource. If more than one resource is set to the same interrupt or address, the application may not respond properly and could cause your machine to lock up. Following these instructions when installing Legacy ISA cards will prevent problems with resource conflicts.

Legacy ISA cards are the oldest standard and require memory, I/O, and IRQ settings to be manually set on the card using jumpers, DIP switches, or a configuration program. The card and system need to have the same hardware settings.

1. Connect a keyboard, turn on the system power, and press DEL when prompted to enter the BIOS Setup program.
2. Select PNP/PCI SETUP.
3. If the card requires one or more interrupts, go to an IRQ that currently reads "USED BY ISA: NO/ICU" and change it to "Yes" by pressing PAGE DOWN. Do *not* use an IRQ that already reads "Yes." Do not use an IRQ shown as "Used" in Windows NT diagnostic resources.
4. If the card requires memory space, enter the address and amount where "Memory Used" appears. Press ESC to exit this screen, and F10 to save and exit Setup. When the screen goes blank, turn off the power.
5. If the card has jumpers or DIP switches, set them so that they match the IRQ and memory addresses set in the BIOS Setup.
6. Set the I/O port settings of the card (if any) so that they fall within the ranges labeled "Available" in Table 2.
7. If the card is set up using a configuration program, proceed with installation, then run the card's configuration program. Set the IRQ and memory address settings to be the same as those put into BIOS Setup. Set the I/O port settings (if any) to a range labeled "Available" in Table 3-1.

Table 3-1. I/O Port Range Table

000-1FF	Reserved
200-27F	Available
280-2FF	Reserved
300-377	Available
378-3DF	Reserved
3E0-3EF	Available
3F0-3FF	Reserved

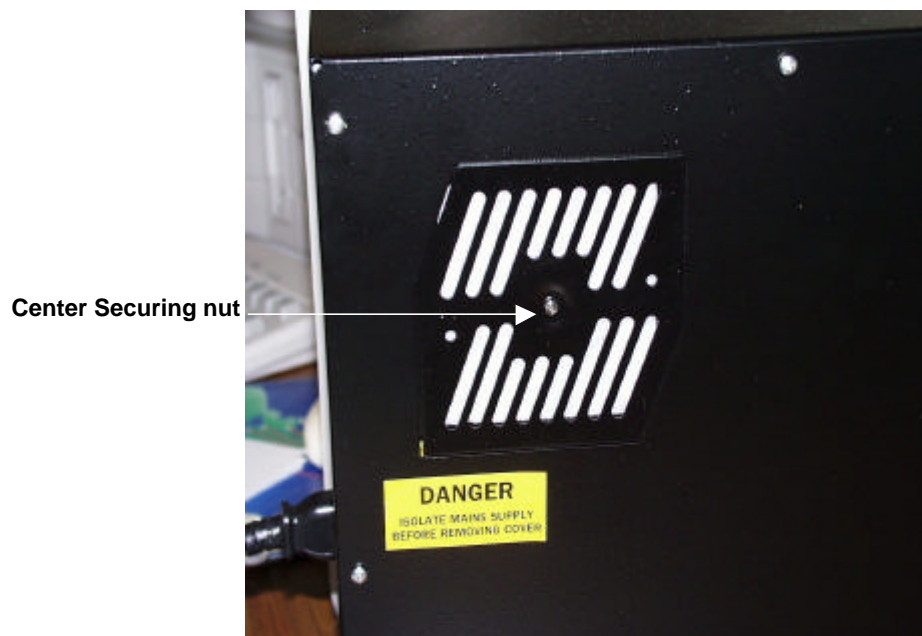
Changing the Air Filter Element

The filter element should be changed or cleaned every three months, or sooner in dusty environments. If the air filter is not changed at suitable intervals, or if a non approved filter is used, the unit may overheat. For details of approved filter elements, refer to "Environmental Specifications" in Appendix A.

The filter element is mounted to the inside of the back plate of the Display Station using one center securing nut. When it becomes necessary to change the filter, unscrew the center nut and remove the Filter Hold Down plate. Removing the rear cover of the unit is not necessary.

To change the filter:

1. To prevent environmental contaminants from entering the unit, power down the unit prior to removing the filter.
2. Remove the Center Securing screw as shown in the photo below. There is no need to remove the rear cover of the CPU.
3. Carefully remove the Filter Hold down plate.
4. Remove the filter element and replace it with a new one. Refer to ordering information on page A-4 of the Appendix to obtain new filters.
5. Put the Filter Hold Down Plate in place and secure it to the backplate by tightening the center securing screw.



This chapter describes the connector layout on the standard Display Station 2020.

Keyboard and data connectors are provided on the proprietary cards fitted in the Display Station 2020. The documentation of the original manufacturers of these cards is supplied with the Display Station.

- Keyboard (CPU card)
- PS2 Mouse Port (CPU card)
- Serial Ports COM 1 (CPU card)
- Parallel Port – 25-pin (CPU card)
- Network (PCI expansion card)

For details about connectors on proprietary cards you have installed in the Display Station, refer to the manufacturer's documentation provided with your card.

Power Input

Series 2020 Display Stations are powered by an internal, autoranging AC power supply unit that accepts 85 to 135 and 180 to 250 VAC input ranges. The power supply unit also provides a standard IEC outlet socket.

The power supply input to the Display Station uses a standard IEC cable, which is provided with the unit.

A rocker switch is provided to allow the system to be isolated from the input. The power supply unit and the power switch are recessed within the enclosure to ensure that they do not interfere with the mounting of the Display Station into the panel aperture. The power supply unit houses an integral ventilation fan that provides cooling for the power supply.

For power supply details, refer to specifications in Appendix A. There are no user-serviceable fuses in these Display Station units.

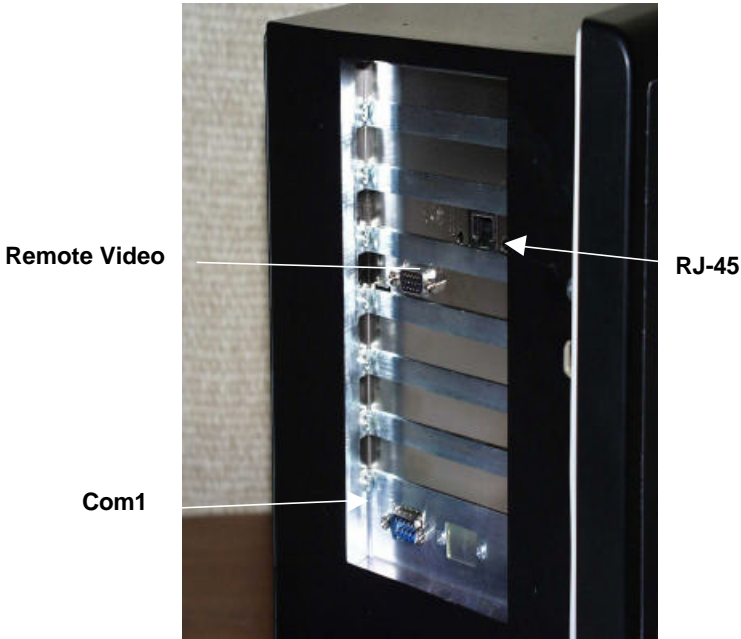
Warning

For all equipment that is connected to a power outlet, the socket outlet shall be installed near the equipment and shall be easily accessible.

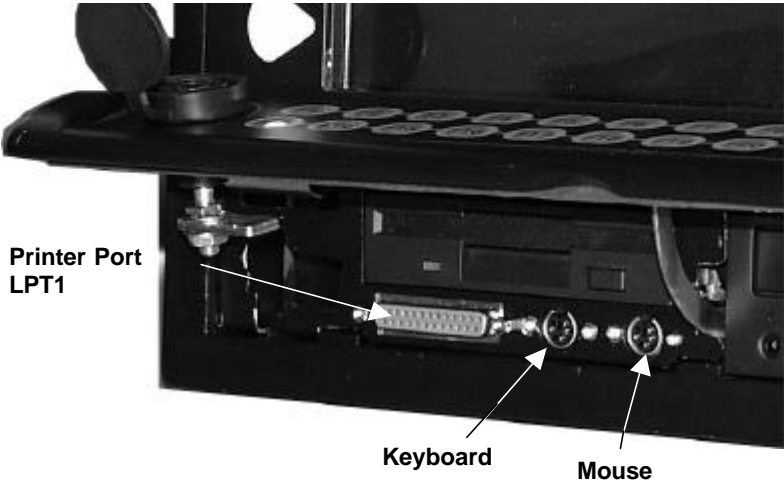
Connector Layout

Caution

External devices (printer, external disk drive etc.) should not be powered up.



Side Panel Connectors



Front Panel Connectors

System I/O

The Display Station 2020 provides the following I/O interface channels:

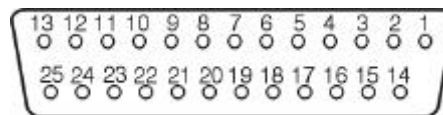
- A single serial interface port is provided by the processor motherboard. It uses a standard 9-pin D type connector.
- A single enhanced parallel port is also provided by the motherboard. This port is accessible at the front of the unit under the access panel.

If the end application requires serial or parallel interfaces in addition to those provided by the standard system, these can be provided by the addition of specific ISA or PCI I/O cards. A wide selection of ISA or PCI cards is available from 3rd party sources to provide user flexibility.

- Dual channel RS232 asynchronous adapter
- Dual channel RS422/485 asynchronous adapter
- Printer port output/input adapter.

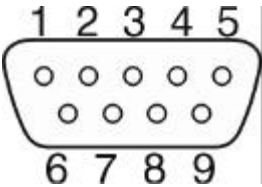
Printer Port LPT1

A 25 pin D type female connector mounted under the access panel of the Display Station is used for the printer port.



Pin	Assignment	Pin	Assignment
1	Strobe	10	Acknowledge
2	Data Bit 0	11	Busy
3	Data Bit 1	12	Paper End
4	Data Bit 2	13	Select Out
5	Data Bit 3	14	Auto Feed XT
6	Data Bit 4	15	Error
7	Data Bit 5	16	Initialize Printer
8	Data Bit 6	17	Select In (from Printer)
9	Data Bit 7	18 to 25	Ground

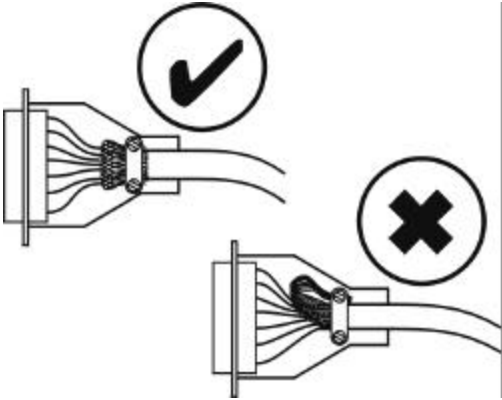
Serial Communication Cables



RS-232C Name	PIN	Assignment
CF	1	DCD (Data Carrier Detect)
BB	2	RX (Receive Data)
BA	3	TX (Transmit Data)
CD	4	DTR (Data Terminal Ready)
AB	5	GND (Signal Ground)
CC	6	DSR (Data Set Ready)
CA	7	RTS (Request to Send)
CB	8	CTS (Clear to Send)
CE	9	RI (Ring Indicator)

To ensure that the installation meets the EMC radiation specification, the serial cables must comply with the following requirements:

- The cables must be shielded.
- The D type connector covers must provide EMC shielding (e.g. Metallized plastic or die cast metal covers).
- The cables must be terminated with 360 degree termination of the shield, as illustrated below.



Chapter 5

System Operation

This chapter provides details of system operation. The following topics are covered:

- System Peripherals
- External Keyboard and Mouse
- Graphic System
- Operator Interfaces
- CIMPPLICITY Software
- Communications

System Peripherals

Hard Disk Drive

The system provides an internal 3.5 inch bay which is dedicated to the system hard drive. The Display Station system has a single internal hard disk drive for the mass storage of data. The disk drive is a standard unit with EIDE/ATA-2 interface.



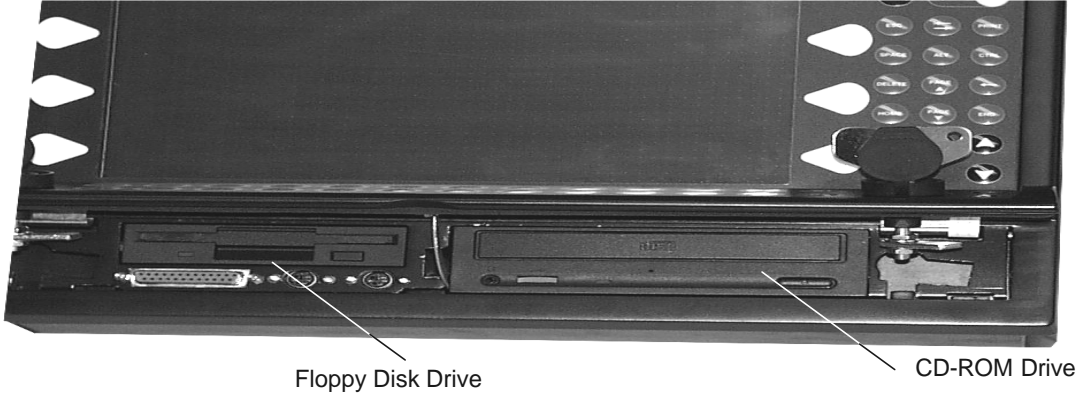
Floppy Disk Drive

Display Station 2020 systems have a single internal 3.5 inch floppy disk drive which is located under the access panel.

The floppy drive is a standard 3.5 inch, 1 inch high unit capable of operating in both low density (720KB unformatted) and high density (1.44 MB unformatted) modes.

CD-ROM Drive

Display Station 2020 systems include an integral CD-ROM drive which is located under the front access panel.

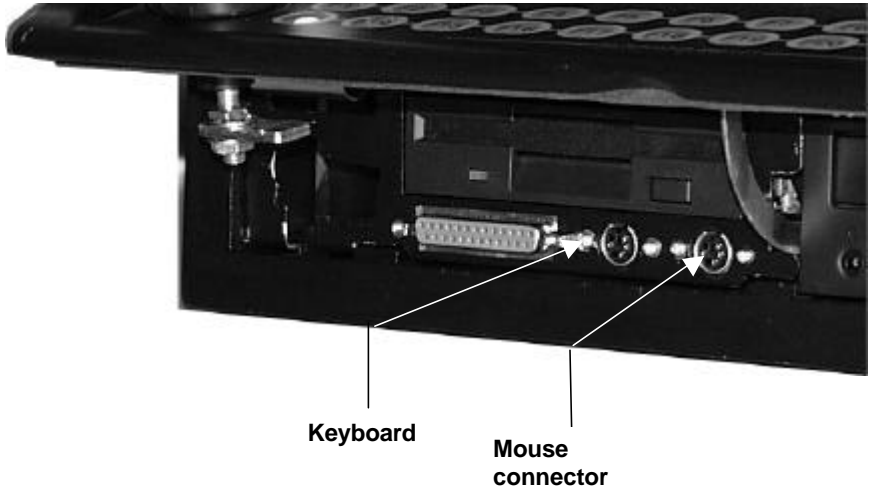


External Keyboard and Mouse

An external keyboard and mouse (both using PS2 connectors) can be attached via the connectors under the front access panel.

The touch screen and mouse will work simultaneously if the mouse is Microsoft or IBM PS2 compatible.

If you are installing an optional serial card, none of the ports can be configured as COM 2, which conflicts with the touch screen.



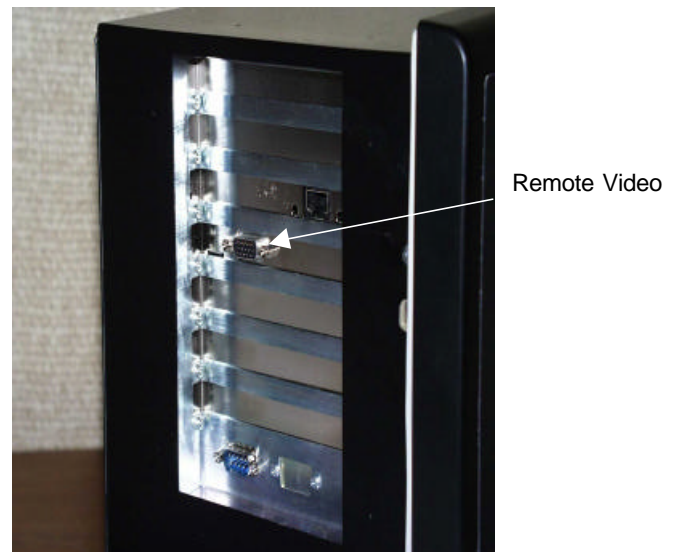
Graphic System

Graphics Controller

A dedicated graphics controller card is used in the PC enclosure inserted into a PCI expansion slot on the motherboard to provide the interface for the panel display.

The following features are supported:

- Display panel resolutions from VGA (640 x 480) up to XGA (800 x 600), color support being from 512 to true color. It is recommended that the Display Station be run in the resolution configured at the factory.
- An external CRT interface using 15 pin high density D type connector. Note that the remote video output shown below is for diagnostic use only. A BIOS mode is necessary before the external port can be made functional.



Display Types

The standard Display Station 2020 system includes a 12.1 inch color TFT (SVGA resolution) screen. The flat screen display has the following features:

- High Luminance (equal to or greater than 200cd/m²)
- Wide angle viewing
- A built-in backlight with a long life backlight tube (equal to or greater than 25,000 hrs),
- Control of the backlight to maximize the tube lifetime. (See page 5-9).

Operator Interfaces

Keypad

The Display Station 2020 incorporates an integral keypad.

- The main keypad returns the same scan codes as a standard PC/AT keyboard, listed in Table 5-1.
- The lift-up panel provides 24 user-configurable function keys. The lift-up panel has two key locks which can be used to lock it in the closed position.
- If an external PC/AT keyboard is connected, the integral keypads remain functional. It is not necessary to reboot the Display Station when you plug in an external keyboard.
- The membrane keys located along the sides of the display are the same as function keys **F1** through **F10** plus the left Control key.



Table 5-1. Membrane Keypad Scan Codes

Display Station Key	Without FN Key		With FN Key	
	AT Command	Make Scan Code (Hex)	AT Command with FN Key Held	Make Scan Code with FN Held
7	7	0837	\	2B5C
8	8	0938	/	352F
9	9	0A39	:	273A
4	4	0534	.	342E
5	5	0635	,	332C
6	6	0736	"	2822
1	1	0231	%	0625
2	2	0332	[1A5B
3	3	0433]	1B5D
0	0	0B30	_	0C5F
-	-	0C2D	+	0D2B
FN	None (Note 1)	None	None	None
ENTER	Enter	1C0D	None	None
DELETE	Delete	53E0	None	None
PRINT	Ctrl + P	1910	None	None
HOME	Home	47E0	None	None
SPACE	Space	3920	None	None
BACKSPACE	Backspace	0E08	None	None
ESCAPE	Escape	011B	None	None
INSERT	Insert	52E0	*	092A
PAGE↑	Pageup	49E0	None	None
PAGE↓	Pagedown	51E0	None	None
Alt	Alt		None	None
Tab	Tab	0F09	Shift Tab	0F00
END	End	4FE0	None	None
←	Left arrow	4BE0	None	None
→	Right arrow	4DE0	None	None
↑	Up arrow	48E0	None	None
↓	Down arrow	50E0	None	None
F1	F1	3B00	A	1E41
F2	F2	3C00	B	3042
F3	F3	3D00	C	2E43
F4	F4	3E00	D	2044
F5	F5	3F00	E	1245
F6	F6	4000	F	2146
F7	F7	4100	G	2247
F8	F8	4200	H	2348
F9	F9	4300	I	1749
F10	F10	4400	J	244A
F11	F11	8500	K	254B
F12	F12	8600	L	264C

Table 5-1. Membrane Keypad Scan Codes - Continued

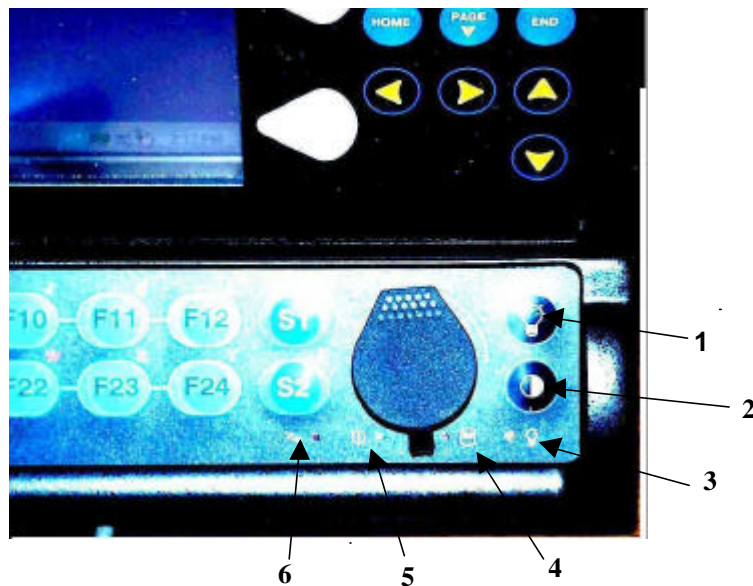
Display Station Key	Without FN Key		With FN Key	
	AT Command	Make Scan Code (Hex)	AT Command with FN Key Held	Make Scan Code with FN Held
S1	Start Button (WinMenu) Note 2	E02F	M	324D
F13	CTRL F1	5E00	N	314E
F14	CTRL F2	5F00	O	184F
F15	CTRL F3	6000	P	1950
F16	CTRL F4	6100	Q	1051
F17	CTRL F5	6200	R	1352
F18	CTRL F6	6300	S	1F53
F19	CTRL F7	6400	T	1454
F20	CTRL F8	6500	U	1655
F21	CTRL F9	6600	V	2F56
F22	CTRL F10	6700	W	1157
F23	CTRL F11	8900	X	2D58
F24	CTRL F12	8A00	Y	1599
S2	Context Menu (Note 3)		Z	2C5A
Unnamed Upper Left	Shift F1	5400	None	None
2nd from top left	Shift F2	5500	None	None
left center	Shift F3	5600	None	None
2nd from bottom left	Shift F4	5700	None	None
Unnamed Lower Left	Shift F5	5800	None	None
Unnamed Upper Right	Shift F6	5900	None	None
2nd from top right	Shift F7	5A00	None	None
right center	Shift F8	5B00	None	None
2nd from bottom right	Shift F9	5C00	None	None
Unnamed Lower Right	Shift F10	5D00	None	None

Table 5-1. Notes:

1. The **FN** key produces no scan codes on its own, but modifies the scan codes produced by the other keys as indicated in the table above.
2. The **S1** key produces the same scan code as that for a Microsoft Win95\98 compatible keyboard. It performs the same function selecting the Windows Start icon.
3. The **S2** key produces the same scan code as that for a Microsoft Win95\98 compatible keyboard. It performs the same function as clicking the left mouse button, to produce a popup menu.

Control and Status Functions

The Display Station 2020 includes a control/status panel, located by the right hand key lock. The LEDs and keys on this small membrane panel have the following functions:



Controls and Indicators

Callout	Type	Function
1	Key	Controls the Backlight Mode of operation.
2	Key	Controls the flat panel display contrast (only applicable for the STN technology).
3	LED	Indicates the status of the flat panel display backlight control mode.
4	LED	Indicates IDE drive activity when an IDE device is being read from or written to.
5	LED	Indicates system power (lighted when power is applied).
6	LED	Provides a general status indicator that can be used by any additional hardware installed on the system.

Touch Screen

The Display Station 2000 range includes a resistive overlay touch screen on the flat panel display.

It has a touch resolution of 1024 x 1024 touch points (independent of screen size) and provides an efficient and reliable method of entering information, suitable for HMI and SCADA software packages. The screen responds to the touch of your finger with or without a glove.

The touch screen is connected internally to the COM 2 serial port, which allows it to function with SCADA software. If you install a card that has settings that conflict with those of the COM 2 serial port, you will need to change the card's configuration.

Touch Screen Driver for Windows

SCADA software which runs under Microsoft Windows is supplied with a driver (Twdriver) to interface with the touch screen surround.

The integral touch surround of the Display Station is internally connected to COM2. Parameters must be set within the driver so that they match the hardware settings. The factory default settings are:

COM Port = COM 2
I/Q Address = 2F8 Hex
IRQ = 3

These parameters are written into the system registry file by the driver setup utility. The driver is installed, configured and calibrated at the time of manufacture.

Touch Screen Calibration Procedure

Due to fluctuations in system requirements and individual touch resistance, it may be necessary to calibrate your touch screen after you have licensed your Display Station but before normal use. To calibrate your touch screen:

1. Ensure that an external keyboard is attached to your system.
2. Press the Ctrl and Esc keys simultaneously.
3. Press the up arrow key until Programs is highlighted.
4. Press the right arrow key once, and then the down arrow key until the touch option is highlighted.
5. Press the right arrow key once and the down arrow key until Touchscreen is highlighted and press the Enter key. This opens the Touch Screen Control Program window.
6. Press the Alt and C key simultaneously to activate the calibration program.
7. Follow the instructions on the screen to calibrate your touch screen.
8. Exit the program after successful calibration of the touch screen.

Setting the Backlight Dimming Control

Display Stations incorporate a backlight dimming control to extend the life of the backlight tubes. The dimming control is operated by using the backlight control button located on the control/status panel as with the contrast control.

Dimming Control Settings

Default Setting

At power up, the backlight control is set to the default setting. This gives a time out period of 5 minutes that the backlight stays fully on, after which the backlight will dim.

Mode Setting

The backlight can be operated in three modes:

Timed Mode - LED on

Full Constant Mode - LED off

Dim Constant Mode - LED off

To step the system through the three modes, apply single presses of the Backlight Control Button.

Timed Mode

This is the default mode. In the Timed Mode, you can set the period of time for which the backlight operates at full power. When the time set expires, the backlight display is reduced to Dim and remains at the dim setting until the next interface input using the touch screen or keypad. If the system is powered down, when the unit is powered up again the default settings will be in effect. You must remake any settings for the control of the backlight.

Full Constant Mode

If the Backlight Control Button is pressed once when the system is operating in Timed Mode, the Display Station will operate in Full Constant Mode. In this mode, the backlight is constantly on.

Dim Constant Mode

Pressing the Backlight Control Button a second time selects the Dim Constant Mode. In this mode the backlight displays constantly on the Dim setting.

Setting the Timeout Period for Timed Mode

You can configure the timeout period so that the backlight stays fully on for a period of between 1 to 30 minutes before dimming.

To set the timeout period:

Press and hold the Backlight Control Button for more than 2 seconds. The backlight control LED will begin to flash.

Each flash of this LED indicates that 1 minute has been added to the time out period. If the LED is allowed to flash three times, for example, and the button is then released, the backlight will dim after a period of three minutes has elapsed.

CIMPLICITY Software

For detailed software operating instructions, refer to the following documentation.

- GFK-1189 *CIMPLICITY® HMI for Windows NT™ and Windows® 95/98 Important Product Information*
- GFK-1180 *CIMPLICITY® HMI for Windows NT™/CIMPLICITY HMI for Windows® 95/98CIMPLICITY Server for Windows NT™ Base System User Manual*
- GFK-1181 *CIMPLICITY® HMI for Windows NT™/CIMPLICITY HMI for Windows® 95/98CIMPLICITY Server for Windows NT™ Device Communications Manual*
- GFK-1341 *CIMPLICITY® HMI/HMI for CNC operation manual*
- GFK-1396 *CIMPLICITY® HMI for Windows NT and Windows 95/98 CimEdit Operation Manual*

More information can be found at www.cimplicity.com.

Communications

For information on the hardware setup for device communications, refer to *CIMPLICITY® HMI for Windows NT™/CIMPLICITY HMI for Windows® 95/98* *CIMPLICITY Server for Windows NT™ Device Communications Manual*, GFK-1181

Your Display Station has been configured with networking components that enable you to establish new networks or connect to existing networks easily. If you intend to use Microsoft NetBEUI, TCP/IP, or Direct Cable Connection, some minimal setup changes are required before you can use the system for network applications. In both Windows 95/98 and Windows NT systems, these settings are changed using the Network application in the Control Panel program group.

Installed Network Components

Network Component	Comments
PCI Network Adapter	Automatically configured in system
TCP/IP	Default settings must be changed before connecting to an existing network. Contact your network administrator for appropriate settings.
NetBEUI	Default settings must be changed before connecting to an existing network. Contact your network administrator for appropriate settings.
System Identification	Computer Name: Each system is uniquely identified by its serial number and can be renamed before adding it to an existing network Workgroup: The default workgroup is Workgroup . This should be renamed before adding it to an existing network.

Caution

The IP Address must be changed to a unique address. If it is not changed, conflicts could occur on your network.

Note

On any Display Station product with the HSSB card, only use the TCP/IP protocol. Do not install any other protocols.

Note

For Windows NT systems: If any component is removed and re-installed, the Service Pack will need to be run after installation. Path is:

C:\SP4\i386\5P4i386

Chapter 6

BIOS Settings

It is normally not necessary to change the hardware configuration settings in the CMOS memory. If settings become corrupt, follow the procedures here to reload the factory configuration.

Restoring Factory CMOS Settings

Connect a keyboard and turn on the power. Enter the Setup mode by pressing the DEL key when prompted during the computer power-up sequence. A screen will appear offering several options for changing settings, restoring default settings, and other functions. Follow these instructions to restore the factory configuration.

1. Select the Load Setup Defaults option. Then, select the Save CMOS settings option. You will be prompted to exit. *Do not* exit at this time.
2. Go into Standard CMOS Setup and make the following selections:

	Type	Mode
Primary HDD master	AUTO	AUTO
Primary HDD slave	AUTO	AUTO
Secondary HDD master	AUTO	AUTO
Secondary HDD slave	AUTO	AUTO
Drive A	1.44 MB 3.5" drive	
Drive B	NONE	
Halt on Errors	All Faults Note: if the Display Station does not have an integral membrane keyboard, this should be set to "Ignore Keyboard error."	

Exit Standard CMOS Setup.

3. Go into Integrated Peripherals Setup. Set parallel port to ECP+EPP.
4. Select Save and Exit Setup. The startup sequence should begin now.

The system is now configured with factory CMOS settings.

CMOS Checksum Error

If the CMOS battery has failed, the following error messages will be displayed on the screen:

```
CMOS checksum error - Defaults loaded
```

```
CMOS battery failed
```

If you see the above message, you can still operate the Display Station by pressing the DELETE key and manually setting up the system. (You will need to set up the computer each time the system is powered up.) For setup parameters, refer to “BIOS Settings.”

This battery has a lifetime of up to 10 years under normal operating conditions. If the battery failed, contact the GE Fanuc Hotline.

Chapter 7

Diagnostics and Troubleshooting

This chapter consists of “Self-Test Diagnostics,” “Troubleshooting,” and “Frequently Asked Questions.” “Self-Test Diagnostics,” describes how to respond to errors that could be detected by the automatic self test that is performed each time the Display Station powers up. “Troubleshooting” contains tables of symptoms, their possible causes, and recommended corrective actions. “Frequently Asked Questions” contains answers to frequently asked questions.

Self-Test Diagnostics

The computer automatically performs self-test diagnostics each time it is powered up. The self-test consists of a series of checks that verify correct performance of the computer hardware. When the self-test is being performed, you will see the message XXXX KB OK displayed on the screen, where XXXX is a number that increases until it matches the amount of usable memory.

System Test and Initialization

These routines test and initialize board hardware. If the routines encounter an error during the tests, you will see an error message on the screen. There are two kinds of errors: fatal and non-fatal. If a non-fatal error occurs, the system can usually continue the boot up sequence. Non-fatal error messages usually appear on the screen with the following instruction:

press <F1> to RESUME

Write down the message and press the F1 key to continue the bootup sequence.

System Configuration Verification

These routines check the current system configuration against the values stored in the CMOS memory. If they don't match, the program will generate an error message. To correct this condition, you will need to run the BIOS setup program and correct the configuration information in memory.

There are three situations in which you might need to change the CMOS settings:

1. You are starting your system for the first time.
2. You have changed the hardware attached to your system.
3. The CMOS memory had lost power and the configuration information has been erased. If this has happened, call GE Fanuc's Hotline Support at 1-800-GE-Fanuc. (800-433-2682).

Troubleshooting

Powerup

Symptom	Possible Causes	Solution
Display Station does not power up.	Power not on (PWR indicator is not lit or display completely dark).	Make sure that Display Station is plugged in. Make sure that power source is functioning properly.
Display is blank (PWR indicator is lighted).	See "Display" on page 7-3.	See "Display" on page 7-3.
Non-System disk or disk error message displayed.	Disk in floppy disk drive.	Remove floppy disk and then reboot or cycle power .
Safe Recovery Error message displayed.	Occurs on initial power up if the unit is accidentally turned off without first shutting down the Windows 95 software.	The Display Station will power up normally.
Memory count during powerup self-test is incorrect.	Optional SIMM is installed incorrectly or is incompatible with the Display Station CPU.	Make sure that the appropriate memory is installed correctly.
CMOS checksum error – Defaults loaded CMOS battery failed message displayed.	CMOS battery failure.	Note: This battery has a lifetime of up to 10 years under normal operating conditions. For more information, see "CMOS Checksum Error" in Chapter 6.
A screen appears just after powerup, or just after reset, which has the title "CMOS Setup Utility."	The DEL key has been accidentally pressed.	Cycle power again. The Display Station will power up normally.
The Display Station reset even though the power was not interrupted.	The CTRL-ALT-DEL keys were pressed twice at the same time.	This should never be done, unless you are attempting to reset the Display Station.
A:> appears instead of software.	A system floppy disk is inserted.	Remove disk and cycle power.
Hard disk error, insert system disk message displayed upon startup.	Factory CMOS settings have been corrupted. This is a temporary situation that occasionally occurs due to CMOS battery drain.	See chapter 6, "BIOS Settings," to verify that Auto Detect is set in CMOS Settings. Also refer to page 41 in the ASUS Motherboard manual.

Display

Symptom	Possible Causes	Solution
Characters are dim.	Computer screen is in direct light.	Change lighting or adjust contrast.
Display is blank (PWR indicator is lit).	Screen temperature is outside operating range.	If Display Station is in direct sunlight, move it and allow it to cool.
	Display Station is set up for invalid video mode.	Reboot. Windows NT models: select VGA Mode Windows 95 models: press F8 when "Starting Windows 95" appears, then select Safe Mode. If Windows is now displayed, go into Control Panel, Display Settings, and change settings to the correct video driver and mode. Contact GE Fanuc's CIMPPLICITY hotline for more information.
	Screen saver is active.	Touch a key on the keypad.
Cursor on touch screen does not correspond exactly to touch.	Touch screen needs calibration.	Refer to "Touch Screen Calibration Procedure" in Chapter 5.

Memory

Symptom	Possible Causes	Solution
Memory count during powerup self-test is incorrect.	Optional SIMM is installed incorrectly or is incompatible with the Display Station CPU.	Make sure that the appropriate memory is installed correctly.
Out of Memory message is displayed or insufficient memory error occurs during operation.	System ran out of memory for the application.	Check the memory requirements for the application. (Refer to the application documentation.) Install additional memory.
	Too many terminate and stay resident (TSR) programs running.	Modify the startup folder to use only those TSR applications that are really needed.

External PS2 Mouse

Symptom	Possible Causes	Solution
Cursor does not respond to mouse movement	Mouse not plugged in.	Power down Display Station. Plug mouse into mouse port on Display Station and reboot.
	The type of mouse is not supported.	Use a PS2 mouse.
	System is busy.	Press CTRL-ALT-DELETE to view task list.
	Mouse not detected.	Restart Display Station product with external mouse connected.

Keyboard

Symptom	Possible Causes	Solution
External keyboard locks up	The type of keyboard is not supported.	Use a Key Tronic keyboard. (Most keyboards will work. However, we recommend a keyboard manufactured by Key Tronic.)
	Keyboard not plugged into keyboard port on Display Station.	Plug keyboard in.
	System is busy.	Press CTRL-ALT-DELETE to view task list.

Communications

PLC/CPU Connection

Symptom	Possible Causes	Solution
CIMPLICITY does not communicate with a PLC that has been autoconfigured (AUTOCONFIG/DEFAULT/I/O error).	The system is attempting to communicate with a 90-30 PLC using the SNP driver and a CIMPLICITY project.	<ol style="list-style-type: none"> 1. With the PLC powered up and connected to the Display Station, establish communication between the Display Station and PLC via the 90-30 SNP driver. 2. Using a Hand-Held Programmer, toggle the Default I/O (Enable or Disable) configuration parameter for the CPU. Communications between the Display Station and the PLC will be stopped. (Communications are stopped when you toggle from Enable to Disable, or vice versa.) 3. Power cycle the PLC.
Communications between the host computer and the controller are unsuccessful.	COM port not configured in system.	Verify that the COM port is configured in the system.
	Cabling between computer and controller.	Verify that the cable between the computer and the controller is correctly wired.
	Baud rate and parity configured incorrectly.	Verify that the baud rate and parity on the computer are consistent with those on the controller.
	Wrong address.	Verify that the slave address is correct.

MODBUS RTU Communications

Symptom	Possible Causes	Solution
Communications between the host computer and the controller are unsuccessful.	COM port not configured in system.	Verify that the COM port is configured in the system.
	Cabling between computer and controller.	Verify that the cable between the computer and the controller is correctly wired.
	Baud rate and parity configured incorrectly.	Verify that baud rate and parity on the computer are consistent with those on the controller.
	MODBUS port not configured for RTU communications.	Verify that the controller's MODBUS port is configured for RTU communications.
	Wrong address.	Verify that the slave address is correct.

Network Communications

Symptom	Possible Causes	Solution
Conflicts on network.	IP Address not unique.	Change the IP address to a unique address. (Contact your system administrator if this or other settings need to be changed.)

Printing

Symptom	Possible Causes	Solution
Printer will not turn on.	Cables not connected properly. Printer power cord not plugged in.	Ensure that the cables are properly connected and that the power cord is connected to the electrical outlet.
Printer will not print.	Printer is not turned on.	Turn on the printer
	Printer is not online.	Set the printer to online.
	The device drivers for your application are not installed.	Install the correct printer drivers for your application in Windows.
	Printer that is set up for a network is not connected to the network.	Connect the printer to the network.
	Printer cable is too long, unshielded, or defective.	Replace the cable.
Printer is offline.	Paper tray is empty.	Fill the paper tray with paper. Set printer to online.
Printer prints garbled information.	Correct printer drivers not installed.	Install the correct printer driver.
	Cable is not connected properly.	Ensure that the printer cable is connected properly to the computer.
	Problem specific to printer.	Run a printer self-test. Refer to the documentation provided with your printer for instructions. If the self-test fails, the problem is printer-specific. The printing section of the software documentation and in Windows online Help may also be helpful.

Frequently Asked Questions

Hardware FAQs

How do I upgrade the Display Station RAM or CPU in my Display Station?

All Display Station products contain at least 64MB RAM and 233 MHz Pentium processor. Upgrades are available at time of initial order through the Display Station “upgrade” package (IC752WFB25x). All RAM or CPU upgrades outside the factory may invalidate the warranty. Contact the Support Hotline at 1-800-GE-FANUC for more information.

How can I get a larger hard drive installed in my Display Station?

Upgraded hard drives are available only at initial order point. If available, a larger hard drive is included as part of the Display Station upgrade package (IC752WFB25x.). All hard drive upgrades outside the factory will invalidate the warranty. Contact the Support Hotline at 1-800-GE-FANUC for more information.

Software FAQs

What HMI software comes preloaded on the Display Station product?

Beginning in mid-February 1997, all IC752WFB/SPL units are preloaded with the full point count version of HMI software. You can get either Windows 95 or Windows NT operating system with the development/runtime packages. All Display Station products come with server packages but can be operated as viewers. IC850PCT300 models are available from the factory with a Demo version of CIMPLICITY HMI only. See <http://www.gefanuc.com/hmi> for ordering information.

Will Display Station products with limited CIMPLICITY HMI point counts be offered?

Some Display Stations are available with limited point count packages. Contact your distributor for more information.

Can I log on to an NT System without typing a password?

All systems have autologon enable for Administrator with **admin** (lower case) as the password.

To disable the screen logon message, refer to the CIMPLICITY Web page at <http://www.cimlicityhmi.com/appnote/logon.htm>. The application note provided at this Web site describes how to create a default logon for the operating system that also acts as a logon for CIMPLICITY so that you only need to turn on the machine to have CIMPLICITY come up and be ready for use.

How long is the period that the CIMPLICITY HMI software will run without authorization?

CIMPLICITY HMI will run for four days after initial load. Due to normal delays in shipping and purchasing, this four-day period will usually have expired by the time the end-user receives their unit. In such case CIMPLICITY will default to a two-hour limit. You should go ahead and register your CIMPLICITY software immediately upon start-up.

Mechanical Specifications

Front Assembly

The Display Station 2020 provides a display screen and a built-in operator keypad and access panel. The whole of the front panel assembly is engineered to IP65 standards.

Keypad

Two keypads are used, a main keypad and the control panel. They are manufactured from a chemically resistant polyester. All the keys provide tactile feedback.

Main Chassis

The main chassis houses the motherboard which is mounted securely in a vertical plane. Plug-in boards are mounted in a horizontal plane perpendicular to the front of the Display Station.

The housing for the card connectors is recessed so that the card interfaces do not protrude beyond the profile of the main housing.

Rear Cover

The rear cover of the unit is fixed to the main chassis so that emissions are minimized. The cover can be removed easily without breaking any electrical connections.

Panel Mounting System

Ten spring-loaded clamps are provided for mounting the Display Station to a panel.

Functional Specifications

CPU and Memory	
Microprocessor	Pentium 233MHz minimum*
User Memory	Minimum 64Mbyte*
Operating System	Windows 95 or Windows NT
Hard Disk	6.4Gbyte minimum*, IDE standard 3.5 inch mounting
CD-ROM	Standard Read only 32x CD-ROM drive
Floppy Drive	Supports 3.5-inch, 1.44Mb PC format floppy disks

PC Backplane							
ISA bus card slots	One card using full length slot (Available)						
PCI bus card slots	Two cards using half length slots – one graphics card and one Ethernet card (Not Available)						
Shared slot	Accommodates one full length or one half length card (Not Available with IC752WFB2x4 or IC752SPL006)						
Total current available for sharing by up to 2 user cards	<table border="0"> <tr> <td>+5VDC</td> <td>1.2 A approx</td> </tr> <tr> <td>+12VDC</td> <td>0.1 A approx</td> </tr> <tr> <td>-12VDC</td> <td>0.1 A approx</td> </tr> </table>	+5VDC	1.2 A approx	+12VDC	0.1 A approx	-12VDC	0.1 A approx
+5VDC	1.2 A approx						
+12VDC	0.1 A approx						
-12VDC	0.1 A approx						

Display	
Display Variants	12 inch Color TFT – SVGA
Active Display Area	12 inch - 246 x 184.5 mm

Power Requirements	
AC Models	
AC Input	85 to 265 VAC, 200W autoranging
Power Rating	85 to 265V, 47 to 63Hz; 2/4A
AC Output	115V: 2A 230V: 1A

* Contact your local distributor for upgrades.

Ports	
Parallel Port	One: LPT1
Serial Ports	COM1 external RS232 port
Keyboard Port	PS2
Mouse Port	PS2

Physical	
Dimensions	
Physical Characteristics	402mm wide (15.8 inches) 319mm high (12.6 inches) 200mm deep (7.9 inches)
Panel Cutout	Width: 382mm (15.0 inches) Height: 299mm (11.8 inches)
Weight (base unit with no optional cards installed)	15.6Kg (34.3lbs)

Filter Pads

Dimensions	80mm by 80mm
Material	P15/150B
Performance Requirements	Retain 75% by weight of dust particles down to 5-10 microns in size Withstand temperatures to 100° C Provide flame resistance to BS5588 and DIN53438

Note: Filter pads (reference FP80T) are available from:

PAPST-MOTOREN GmbH & Co KG
Hermann-Papst-Straße 1
78112 St. Georgen/Schwarzwald
Postfach 14 35

Tel: (0 77 24) 81-0
Fax: (0 77 24) 81-309

<http://www.papst.de/home.html>

A

- Access panel, 1-3
- Air filter element, 3-7
- Air flow, 3-1
- Application software, 1-4
- Audible warning, 2-1
- Autologon, 2-3

B

- BIOS settings, 6-1
- Blanking plates, 3-5

C

- Cards
 - installation, 3-3
- Catalog numbers
 - Display Station
 - IC752CTD450, 1-2
- CD-ROM drive, 5-3
- CIMPLICITY software
 - operation, 5-11
- CMOS battery, 7-2
- CMOS Battery, 6-2
- CMOS checksum error, 6-2
- CMOS settings
 - restoring, 6-1
 - self-test diagnostics, 7-1
- COM1, COM2
 - location, 4-3
 - pinout, 4-5
- Communications, 5-12
 - troubleshooting, 7-5
- Configuring the Network
 - Windows 95/98, 2-4
- Connectors, 4-1
- Control and status functions, 5-8
- Controls and indicators, 5-8

D

- Diagnostics
 - bootup sequence, 7-1
 - self-test, 7-1
 - system configuration verification, 7-1
 - system test and initialization, 7-1
- Dimming control settings, 5-10
- Display
 - troubleshooting, 7-3

E

- Error messages
 - AUTOCONFIG/DEFAULT I/O, 7-5
 - CMOS checksum error, 6-2, 7-2
 - CMOS Setup Utility, 7-2
 - Disk Error, 7-2
 - Insufficient memory, 7-3
 - non-fatal, 7-1
 - Non-system disk, 7-2
 - Out of Memory, 7-3
 - Safe Recovery, 7-2
- External keyboard and mouse, 5-3

F

- Field image recovery disk, 2-9
- Filter
 - changing, 3-7
- Filter pads, A-4
- Floppy disk drive, 5-2
- Frequently asked questions, 7-7

G

- Graphic system, 5-4

H

- Hard disk drive, 5-2

I

- I/O, 1-3
- Image recovery, 2-9
- Indicators, 5-8
- Initial startup, 2-1
- Installation
 - cards, 3-3
 - panel mounting, 3-1
- Installed network components, 5-12
- Installing application software, 2-6

K

- Keyboard
 - troubleshooting, 7-4
- Keypad, 5-5

L

- LEDs, 5-8
- Legacy ISA cards, 3-6
- Login recommendation, 2-5
- LPT1

- location, 4-3
- pinout, 4-4

M

- Memory
 - troubleshooting, 7-3
- MODBUS RTU communications
 - troubleshooting, 7-5
- Mounting guidelines, 3-1
- Mounting procedure, 3-2

N

- Network communications
 - setting up for Windows 95/98, 2-4
 - troubleshooting, 7-6
- Network components, 5-12
- Network interface, 1-4

O

- Operator interfaces, 5-5
- Optional features, 1-3

P

- Panel cutout dimensions, 3-2
- Peripherals, 5-2
- PLC/CPU connection
 - troubleshooting, 7-5
- Power input
 - general, 4-2
- Powering up, 2-1
- Powerup
 - troubleshooting, 7-2
- Printing
 - troubleshooting, 7-6

R

- Recovery, image, 2-9
- Registering your CIMPLICITY software, 2-5
- Reset
 - accidental, 7-2
- Restoring factory CMOS settings, 6-1

S

- Self-test diagnostics, 7-1
- Serial Mouse
 - troubleshooting, 7-4
- Setting backlight dimming control, 5-10
- Setting up Windows NT systems, 2-3

- Shutting down the computer, 2-9
- Specifications
 - functional, A-2
 - mechanical, A-1
- Standard features, 1-2
- System Configuration Verification, 7-1
- System I/O, 1-3
- System Test and Initialization, 7-1

T

- Temperature
 - effect on contrast setting, 7-3
- Timeout period, setting, 5-11
- Touch Screen, 5-9
- Touch Screen Driver for Windows, 5-9
- Troubleshooting, 7-2
 - communications, 7-5
 - display, 7-3
 - keyboard, 7-4
 - memory, 7-3
 - MODBUS RTU communications, 7-5
 - network communications, 7-6
 - PLC/CPU connection, 7-5
 - powerup, 7-2
 - printing, 7-6
 - serial mouse, 7-4
- TSRs, 7-3

U

- Upgrading
 - CPU or RAM, 7-7
 - hard drive, 7-7

W

- Warning, audible, 2-1